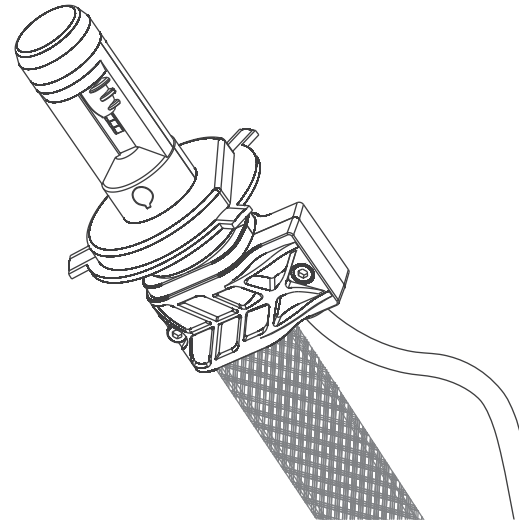


**LED HEADLIGHT CONVERSION KIT**

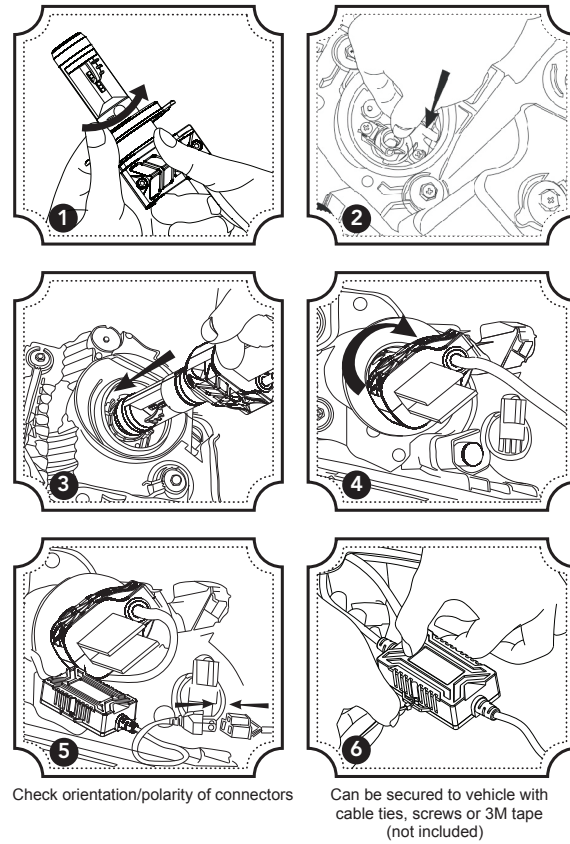
**PRODUCT MANUAL**



封面

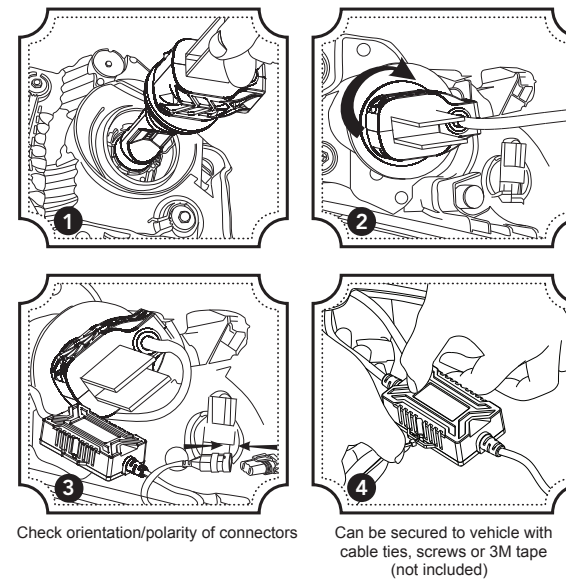
**H4/H7**

or models with adjustable collar, remove and lock in position before installing LED & check LED alignment



内页1

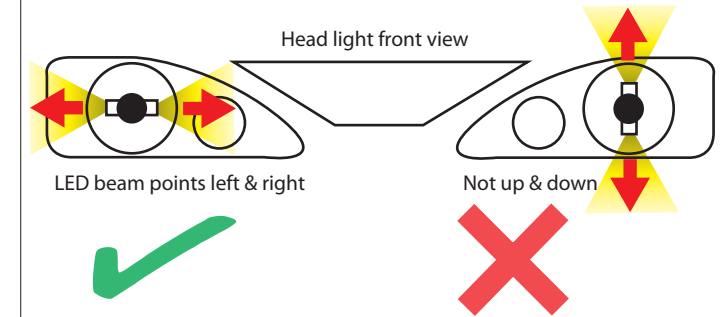
**H1/H3/H8/H9/H11/HB3/HB4/HI2**



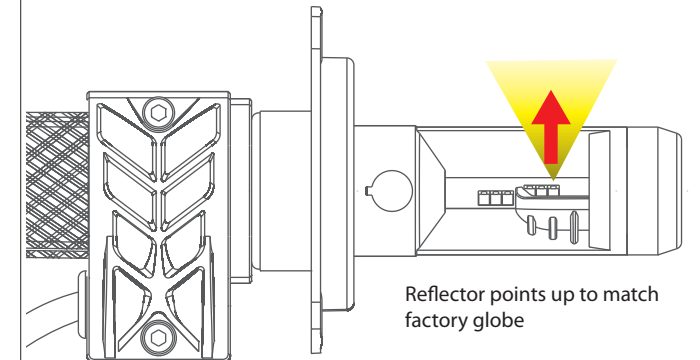
**NOTE:** These LED Headlight globes come pre-aligned to match the factory globes of most vehicles. If adjustment is required, rotate the globe in the collar or use allen key provided for alignment.

内页2

**LED Alignment**



**Dual Beam LED Alignment**



内页3

**Product Specification**

Input Power	22W
Operating Voltage	DC12-24V
Luminous Flux	4000 Lumens (2000 x 2)
IP Rating	IP65
Light Source Model	LUMILEDS
Colour Temperature	5700 Kelvin
Heat Dissipation	Aviation aluminium ADC12 with Copper Braided Flexible Heat Sink
Operating Life	>30000hrs
Operating Temperature	-40°C ~+80°C

内页4

**Trouble Shooting**

Please check the list below to help with problem solving or before contacting our technical department.

Fault	Procedure
not working	1. Check all connections, condition & orientation 2. Check vehicles fuses 3. Try both LED's and regulators in the kit 4. Replace the factory OEM bulbs and check they work to isolate a problem with the LED's

内页5

**Technical Assistance**

If you need assistance setting up or using your product now or in the future, call Aerpro Support. Australia

TEL: +61 3 8587 8898  
FAX: +61 3 8587 8866

Mon-Fri 9am – 5pm AEST

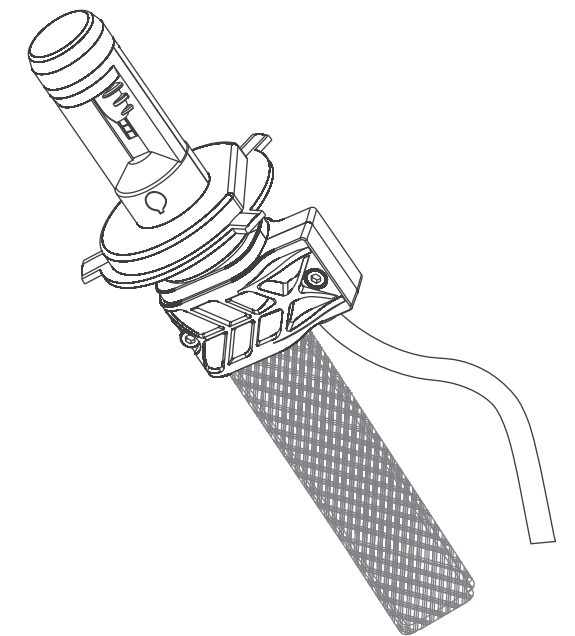
Please retain this user guide for future reference.

For help with installation go to [www.aerpro.com](http://www.aerpro.com) or scan the QR code  
[https://aerpro.com/products/LED\\_Headlights](https://aerpro.com/products/LED_Headlights)



[www.aerpro.com](http://www.aerpro.com)

内页6



[www.aerpro.com](http://www.aerpro.com)

底页