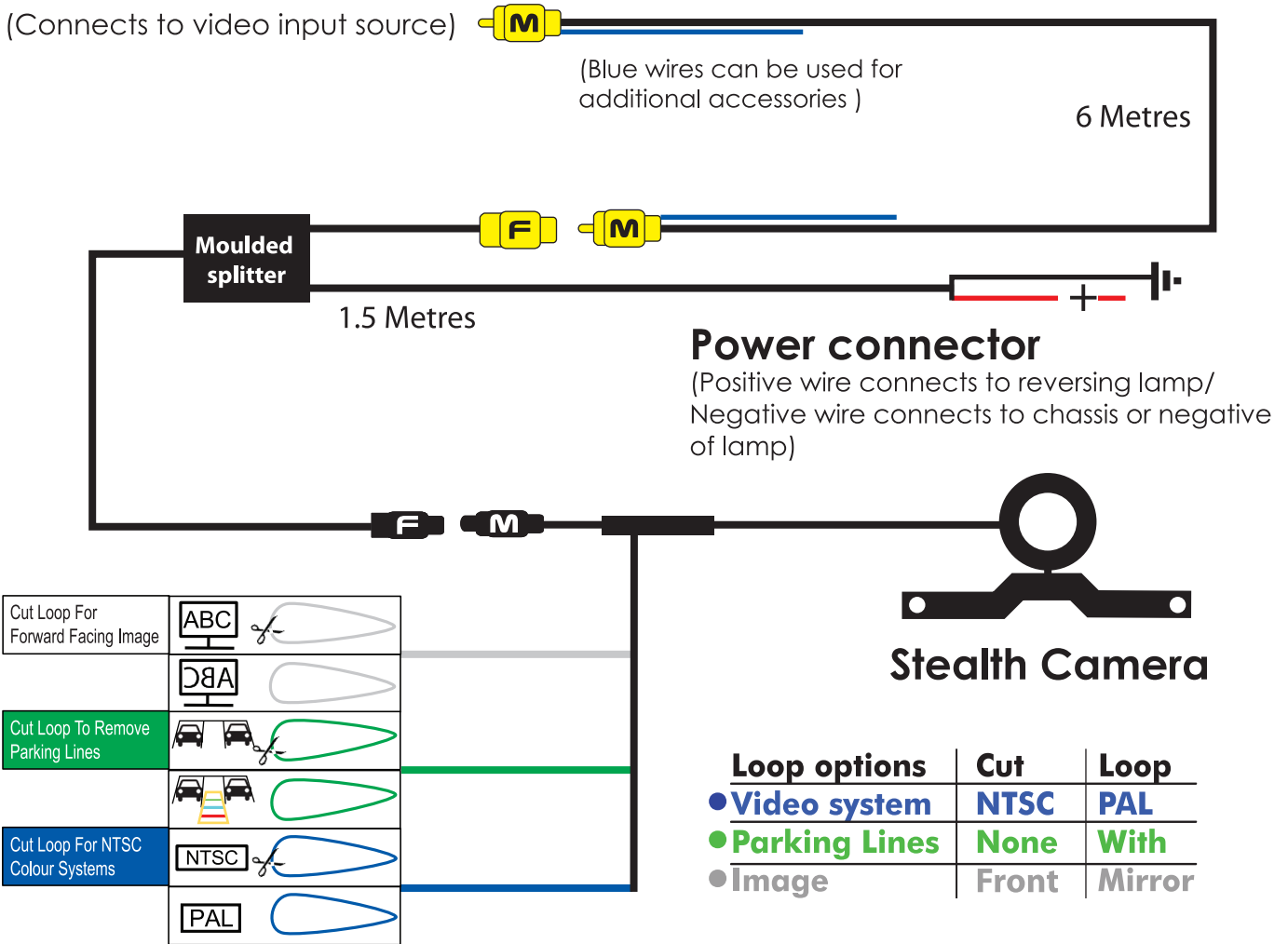


# G45CL wiring diagram (Version 2 Loop System)



**Note:** When cutting loop wires make sure power to the camera is turned off. For CAN-BUS vehicles you will require a Gator GRCANFLT CAN-BUS filter (sold separately).

## Specifications

Stealth Camera with Loop: CMOS  
 120/60 Degree viewing angle.  
 Camera IP Rating: IP67 (0.5M- 4 Hrs)  
 Camera Mount type: Number Plate  
 Includes 1.5M Power Wire and 6M RCA Lead  
 Colour system: PAL/NTSC  
 Supply Power: DC12V +/- 10%

## Technical Assistance

If you need assistance setting up or using your Gator product now or in the future, call Gator Support.

Australia  
 TEL: 03 – 8587 8898  
 FAX: 03 – 8587 8866  
 Mon-Fri 9am – 5pm AEST  
 Please retain this user guide for future reference.

