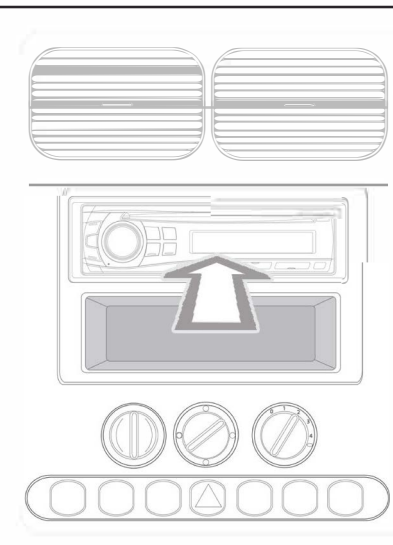
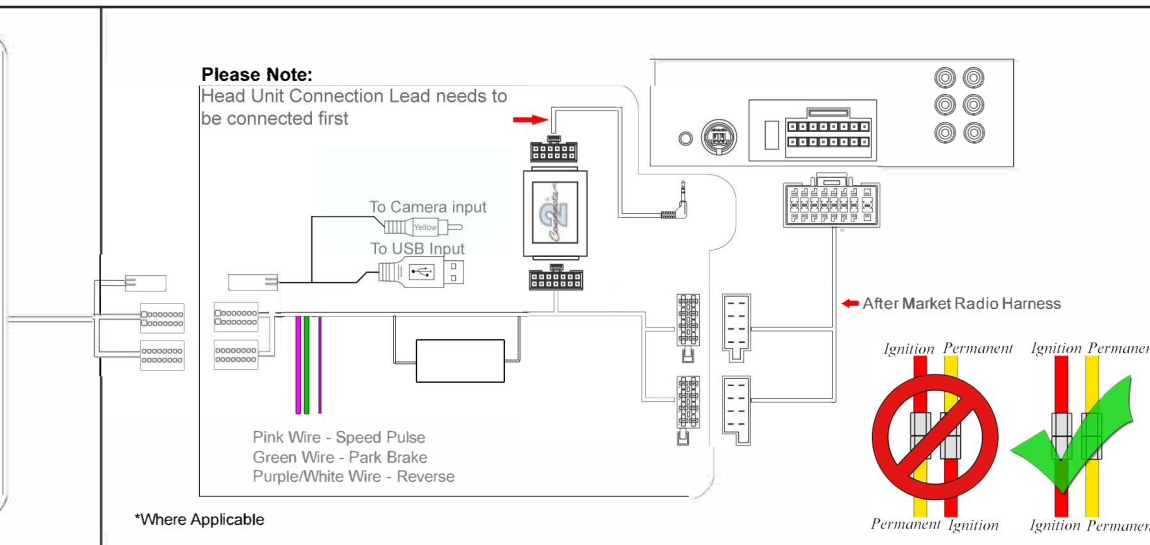
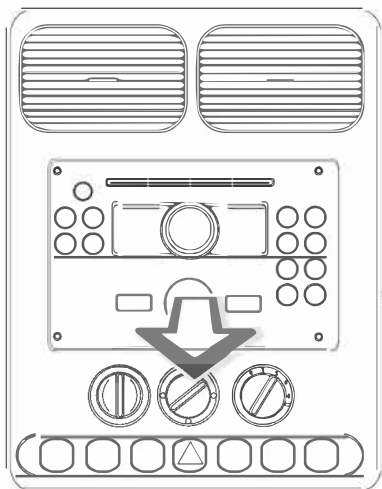


Installation Guide

powered by



Part No: **CTSNS014.2**
Nissan CAN-Bus Steering Wheel Control Interface



Vehicle Compatibility:

For Vehicle Compatibility visit <https://aerpro.com/CHNI9C>

Steering Wheel Control Functions



Setting Vehicle Time

Press and hold 'Enter' for 8 seconds. Use 'Track -' to change hours and 'Track +' to change minutes. Short press enter to set the time, or press and hold 'Enter' to exit the menu without saving changes.

* Note All Dates are guide lines only as specifications of vehicles change