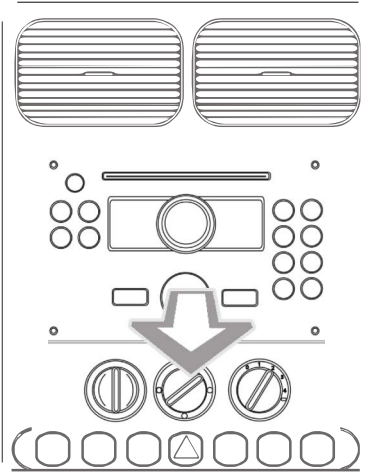


# Installation Guide

Part No: CHMZ0C

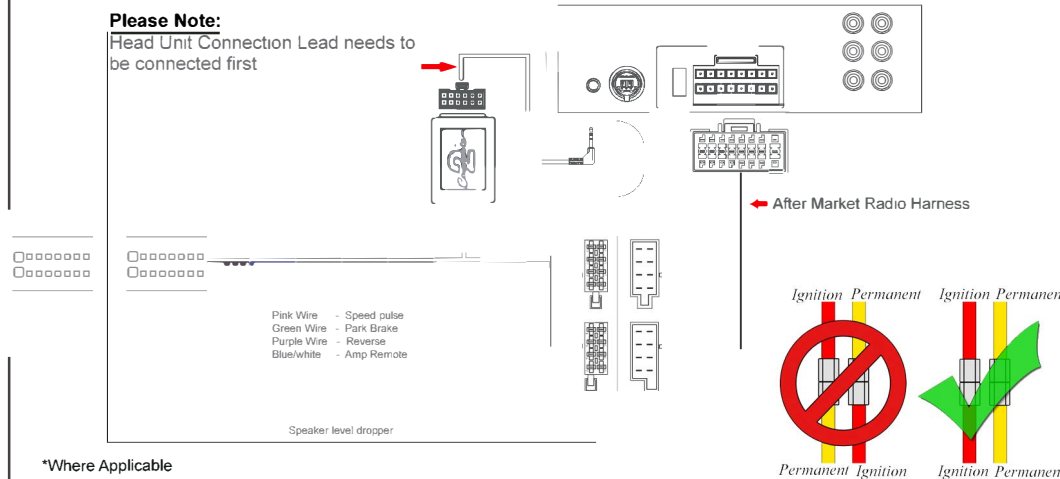
Mazda Can-Bus Steering Wheel Control Interface

powered by

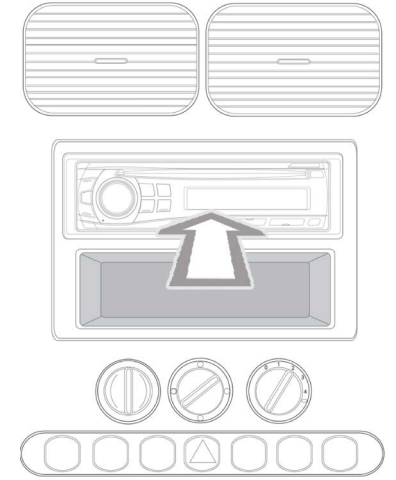


**Please Note:**

Head Unit Connection Lead needs to be connected first



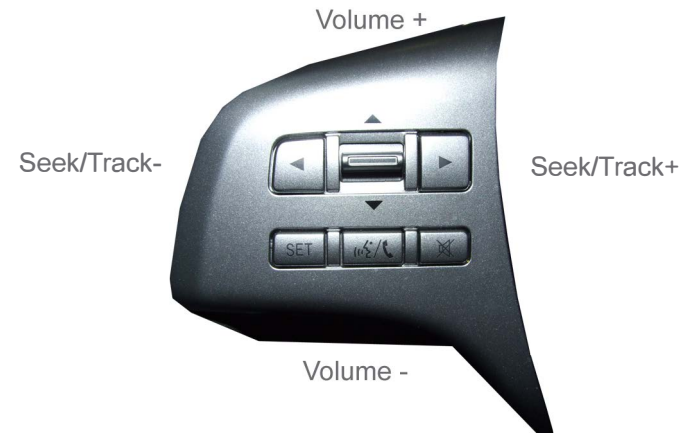
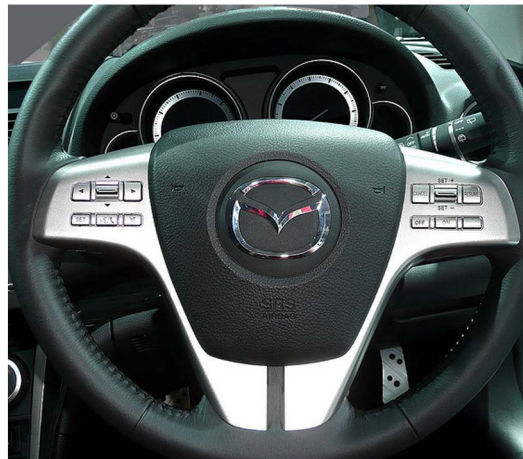
\*Where Applicable



## Vehicle Compatibility:

For Vehicle Compatibility visit <https://aerpro.com/CHMZ0C>

## Steering Wheel Control Functions



\* Note All Dates are guide lines only as specifications of vehicles change

# Installation Guide

Part No: CTSMZ001.2 Mazda Can-Bus Steering Wheel Control Interface



## **To Adjust Clock:**

1. Press and hold SET button for 2 seconds.
2. Press up to increment the hour.
3. Press down to increment the minute.
4. Press and hold SET button to exit or wait for 10 seconds.

## **To Navigate Trip Computer:**

1. Press the RIGHT arrow repeatedly until the clock in the vehicle display is highlighted.
2. Use the UP and DOWN keys to navigate the trip computer.

## **To Reset Trip Computer**

1. Navigate to trip computer setting you wish to reset (as shown above)
2. Press and hold 'SET' until the reading clears. The display should show ' --- '

Note :Blue/White lead should be connected to Amp remote on the aftermarket stereo(Bose Amp on Signal)