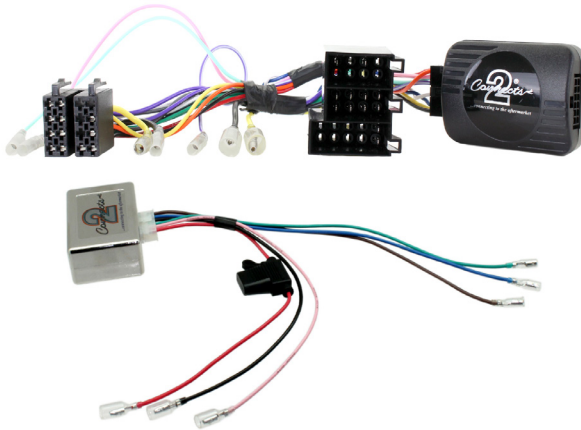




...connecting to the aftermarket

CTSMC014.2

Mercedes Benz Steering Wheel Control Interface



Application:
Actros 2007 - 2012

www.connects2.com

Designed and
Engineered
in the UK. 

CTSMC014.2

CAN-Bus Steering Wheel Control Interface for Mercedes Benz Actros Vehicles.
Includes Voltage Dropper

Product Contents

1. Interface
2. Harness
3. Instruction

Prior to installation

Read the manual prior to installation. Technical knowledge is necessary for installation. The place of installation must be free of moisture and away from heat sources. Please ensure you use the correct tools to avoid damage to the vehicle or product.

Connects2 can not be held responsible for the installation of this product.

Wiring Colour Codes

Wire Colour	Function
Yellow	Permanent 12V
Black	Ground
Red	12V Ignition
Orange	Illumination
Blue	Antenna Remote
Pink	Speed Pulse
Green	Park Brake
Purple	Reverse

Wire Colour	Function
Purple	Right Rear Speaker +
Purple/Black	Right Rear Speaker -
Green	Left Rear Speaker +
Green/Black	Left Rear Speaker -
Grey	Right Front Speaker +
Grey/Black	Right Front Speaker -
White	Left Front Speaker +
White/Black	Left Front Speaker -

Technical Support

Connects2 want to provide a fast and suitable resolution should you encounter any technical issues. With this in mind, when contacting Connects2, try to provide as much Information as possible. This will speed up the process and help us to help you.

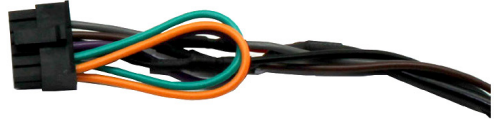
Please use our dedicated online technical support centre: support.connects2.com



Subscribe to our YouTube Channel for installation guides and tips... www.youtube.com/connects2

FITTING GUIDE

1. Remove and disconnect the original head unit.
2. Connect the 12 way molex connector of the head unit patch lead (supplied separately) to the interface.



3. Connect the opposite end of head unit patch lead to the head unit steering wheel control input on the back of the aftermarket head unit. This may be a 3.5mm jack plug or a wire input depending upon the head unit brand being fitted.

Please see the head unit installation manual for further information on where to connect.

Important Note: This step must be completed before connecting power to the interface. Failure to so do may result in no steering wheel control function.

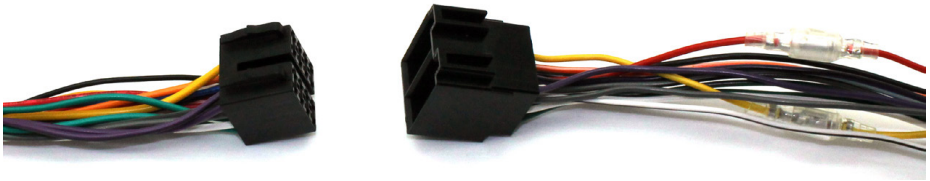


4. Connect the 14 way molex connector to the interface



FITTING GUIDE

5. Connect the male power/speaker ISO harness to the female power/speaker ISO harness from the aftermarket head unit. For aftermarket head units without an ISO connector, please refer to the wiring colours on Pg. 2.

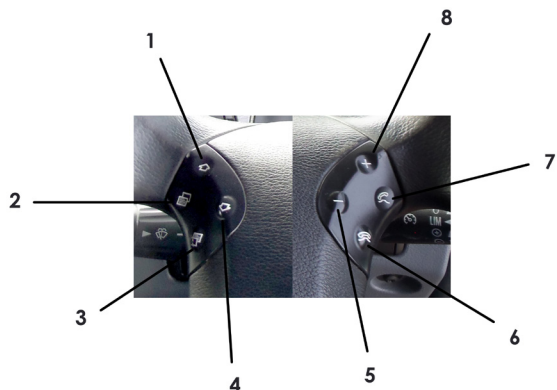


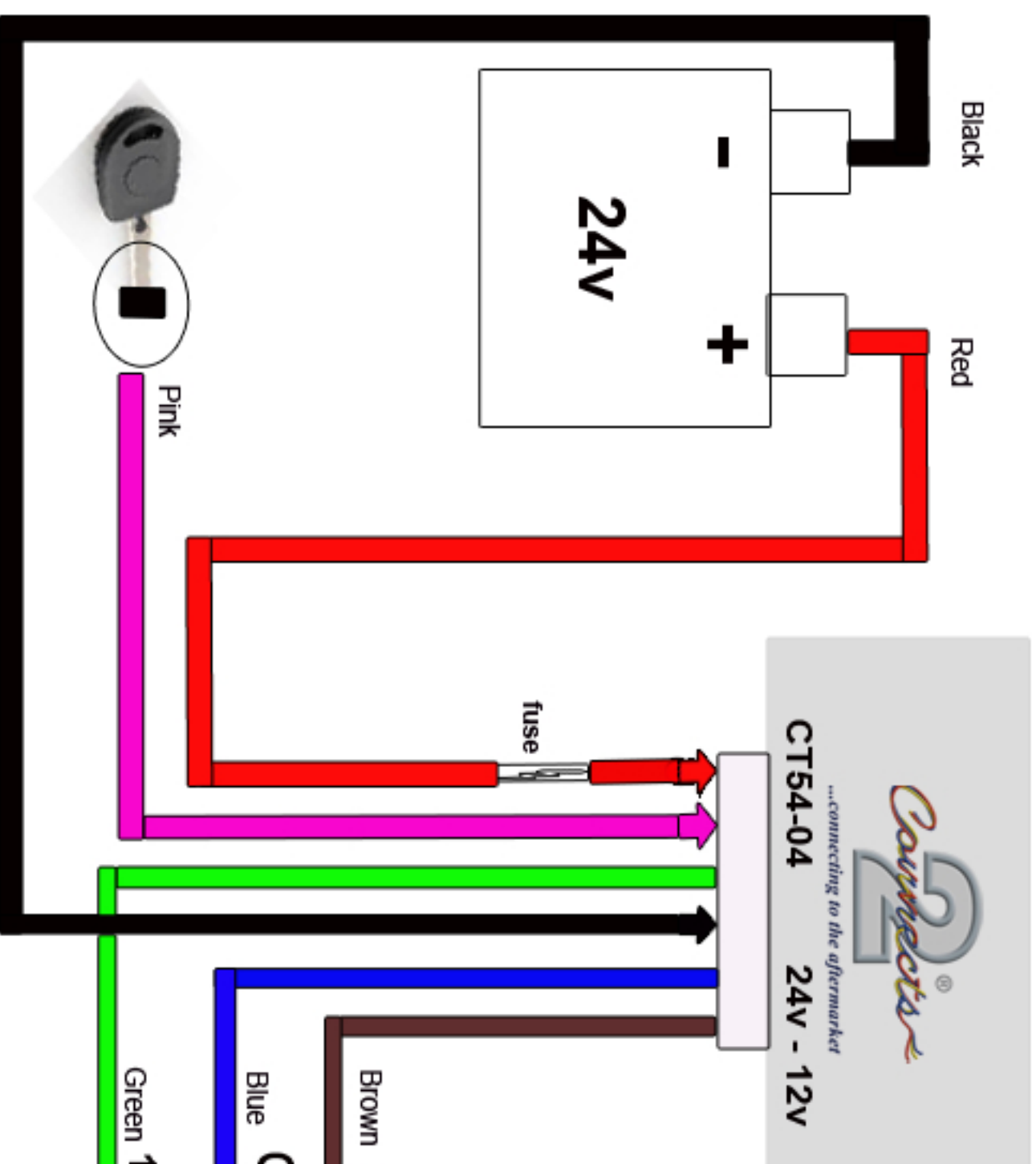
6. Connect the CT54-04 voltage dropper (included) between the two spare pairs of bullets (yellow/black wires) to convert the voltage from 24v to 12v.

7. Connect the female vehicle specific connector to the male vehicle connector. Test head unit for correct operation.

STEERING WHEEL CONTROL FUNCTIONS

1. Track +
2. Page +
3. Page -
4. Track -
5. Volume -
6. Hang Up
7. Pick Up
8. Volume +





TECHNICAL SPECIFICATIONS

Power Input Voltage: 18V - 30V
 Output Voltage: 13V +/- 0.1V
 Remote Input On Voltage: 18V - 30V
 Remote Output on Voltage: 13.8V +/- 0.1V
 Output Current Continuous: 10A
 Output Current Maximum: 12A
 Standby Current: <17mA
 Conversion Efficiency: Min 90% Max 95%
 Operation Temperature Range: - 40° to +85°

1	Red connect to battery +24v live
2	Black connect to battery Ground -24V
3	Pink connect to Inginton 24V
4	Brown 12v Permanent
5	Green 12v Acc
6	Blue Out going 12v Ground