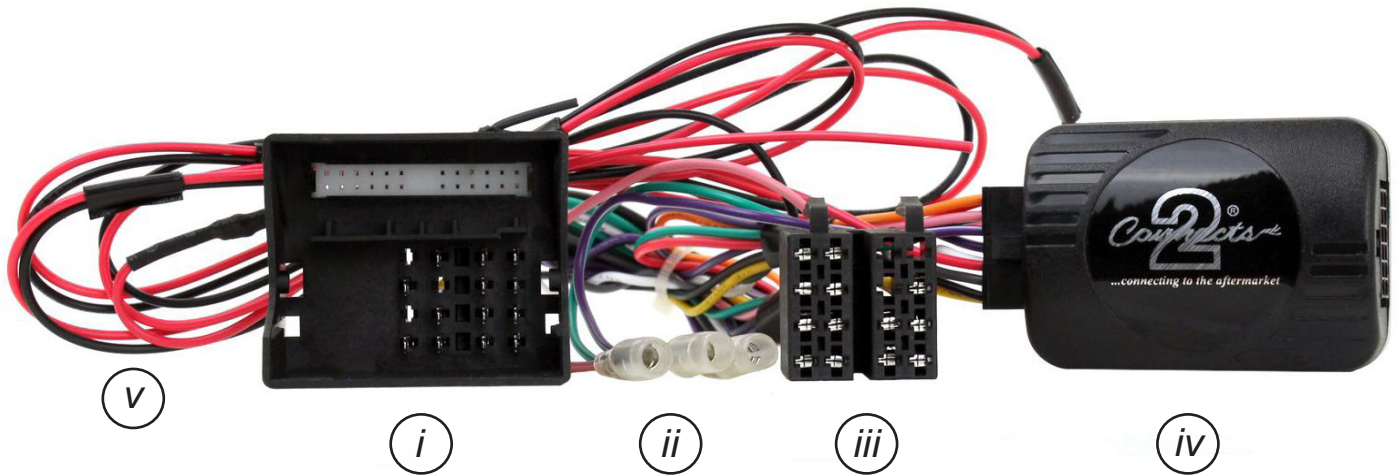


CHGM2C

Steering Wheel Control Interface for select Vauxhall vehicles



i. Vehicle Specific Connector
ii. Additional Flying Wires
iii. ISOConnector (16-pin)

iv. Interface Box
v. 12V & Ground Extension Wires

Designed and
Engineered
in the UK. 

APPLICATION

Note: Application data is subject to change at any time

Vauxhall Corsa (D)

2009 - 2014

FEATURES

- Retains Factory Steering Wheel Control Functions
- Retains Vehicle Settings Menus via Steering Wheel Controls
- Provides Outputs for Speed Pulse, Park Brake, Rev.Gear, Ground & 12V Ignition

DISCLAIMER

The information provided in this document is subject to change without notice due to manufacturer changes and/or improvements to the product/s. This instruction manual is based on documented data and research. The manufacturer of this product cannot be held responsible for any changes made to the vehicle by the manufacturer or damages that may occur through the installation of this product in accordance with the steps outlined herein.

PRODUCT INFORMATION

The CHGM2C is a CAN-Bussteering wheel control interface for the Vauxhall/Opel Corsa with either a CD30/CD50/CD70/CDC40 original stereo and Quadlock connector. This interface helps retain the steering wheel controls when upgrading to an aftermarket stereo.

WIRING KEY

IN WIRING HARNESS

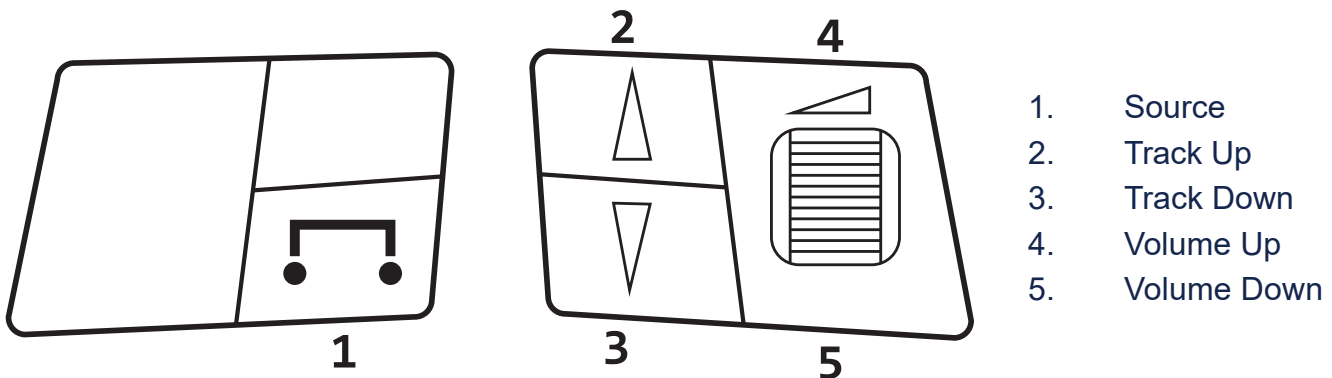
Purple	Right Rear Speaker +	Yellow	Permanent 12V
Purple/Black	Right Rear Speaker -	Black	Ground
Green	Left Rear Speaker +	Red	Ignition 12V
Green/Black	Left Rear Speaker -	Orange	Illumination
Grey	Right Front Speaker +		
Grey/Black	Right Front Speaker -		
White	Left Front Speaker +		
White/Black	Left Front Speaker -		

ADDITIONAL CONNECTIONS

Pink	Speed Pulse
Green	Park Brake
Purple	Reverse Gear

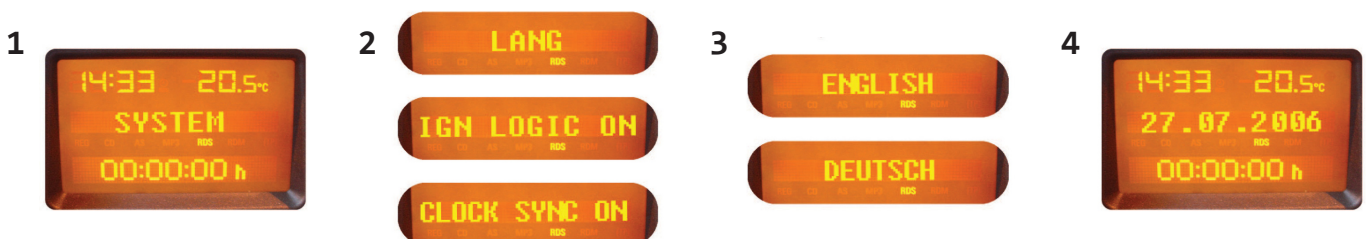
STEERING WHEEL CONTROL FUNCTIONALITY

The following diagram, though based on careful research, is an example only. Individual steering wheel control configurations may differ.



ACCESSING SYSTEM SETTINGS MENU

- 1) Hold 'Source' (Fig 1) for approx 2 seconds. You are then able to access the 'System Settings' menu.
- 2) Use the volume button (Fig 4&5) to scroll through all of the vehicle menus.
- 3) To change a setting, stop on the required menu and alter it by using the track buttons (Fig 2&3).
- 4) To exit the 'System Settings' menus at any time, simply press the 'Source' button (Fig 1).



PRIOR TO INSTALLATION

Read the manual prior to installation. Technical knowledge is necessary for installation. The place of installation must be free of moisture and away from heat sources. Please ensure that the correct tools are used during the installation to avoid damage to the vehicle or product.

Aerpro can not be held responsible for the installation of this product.

INSTALLATION GUIDE

See wiring diagram on Pg.4 for more information

Before installing the interface, the factory stereo must be removed and disconnected. To do this, please consult the vehicle owner's manual/handbook or contact a fitting professional.

A stereo connection (patch) lead is also required for the installation of this interface (supplied separately). Please ensure that you have the correct lead before proceeding. For universal patch leads, prepare the wiring loops in accordance with the instruction manual supplied with the product before installation.

1. Connect the 12 Pin connector from the stereo connection (patch) lead to the interface box
2. Connect the opposite end of the stereo connection (patch) lead to the steering wheel control input on the back of the aftermarket stereo

NOTE: This may be a 3.5mm jack connector or a wired input depending on the brand of aftermarket stereo being fitted. Please consult the aftermarket stereo installation manual for further information on where to make the connection



IMPORTANT: THIS STEP MUST BE COMPLETED BEFORE CONNECTING POWER TO THE INTERFACE. FAILURE TO DO SO MAY RESULT IN A LACK OF FUNCTIONALITY AND THE NEED TO RE-INSTALL THE PRODUCT.

3. Connect the 14 Pin connector from supplied wiring loom to the interface box
4. Connect the power/speaker ISO connector to the power/speaker ISO connector at the rear of the aftermarket stereo.

NOTE: For aftermarket stereos which do not have an ISO connector, please see "Wiring Key" on Pg.2 for information on which wires to connect. Some interfaces may also have additional 'flying' wires which can be connected to the vehicle to support various features ie. parking brake trigger, reverse gear and speed pulse. Details of these can be found under 'Additional Connections'.

5. Connect the additional pin connector to the back of the 14 Pin connector [See the wiring diagram on page 4 for more detail]. Then proceed to attach the red flying wire to a source of 12V Ignition and the black wire to a source of Ground.
6. Connect the Quadlock connector to the vehicles main power connector.
7. Test stereo and steering wheel control functionality for correct operation before reassembling the vehicle dashboard. If steering wheel control functions are unresponsive, please uninstall the interface and wiring and re-install carefully in accordance with the above steps.

If you need assistance setting up or using your Aerpro product now or in the future, call Aerpro Support Australia TEL: 03 – 8587 8898 FAX: 03 – 8587 8866 Mon-Fri 9am – 5pm AEST. If you would like to download a digital copy of this manual, or other Aerpro manuals/software, please visit the <http://aerpro.com> website.

WIRING DIAGRAM

