

Aerpro[®]

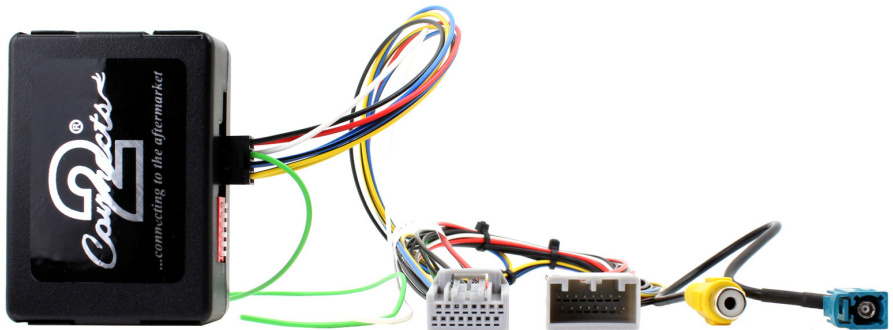
First Choice

powered by



APVLR12

Rear View Camera Input and Video In Motion



www.connects2.com

APVLR12

Reversing Camera Add-On and Video in Motion Interface for Land Rover touch screen navigation version 3 systems 2012>. Add on Camera interface designed to allow the addition of an aftermarket reverse camera to the OEM screen - compatible with NTSC cameras only.

Prior to Installation

Read the manual prior to installation. Technical knowledge is necessary for installation. The place of installation must be free of moisture and away from heat sources. Please ensure you use the correct tools to avoid damage to the vehicle or product.

Aerpro can not be held responsible for the installation of this product.

Technical Support

Aerpro want to provide a fast and suitable resolution should you encounter any technical issues. With this in mind, when contacting Aerpro, try to provide as much Information as possible. This will speed up the process and help us to help you.

**Please use our dedicated online technical support centre:
intranet.tdj.com.au/support**

Dipswitch Settings

Vehicle/ navigation	Dip 1	Dip 2	Dip 3	Dip 4	Dip 5	Dip 6
Video-in-motion permanent	ON	ON	OFF	OFF	ON	ON
Video-in-motion selective*	OFF	ON	OFF	OFF	ON	ON

* With Dip1 set to "OFF", the included green cable is used to activate the video in motion function

Dipswitch Functionality:

Dip 1 – Activation of Video in Motion

Dip 2 – Existing Rear View Camera

Dip 3 – TV icon simulation

Dip 4 – No function

Dip 5 – CAN-bus termination resistor on the vehicle side

Dip 6 – CAN-bus termination resistor on the head-unit side

Setting Dip2 to "ON" codes the factory rear-view camera input, which is located on the brown fakra male connector of the factory monitor. When reverse gear is engaged, the navigation will automatically switch to this input.

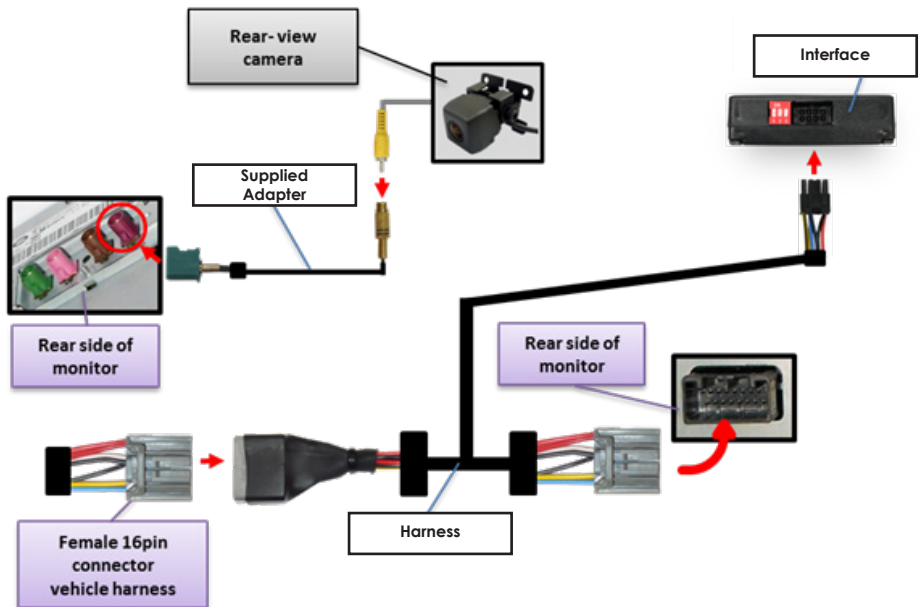
Factory Monitor Connector Pin Assignment

Cable Colour	Assignment
Orange/Grey	CAN-HIGH Pin 2
Orange/Purple	CAN-LOW Pin 1

8pin Molex Pin Assignment

Cable Colour	Pin-No.	Assignment
Yellow	Pin 4	CAN-HIGH – connection to the head-unit
Blue	Pin 3	CAN-LOW – connection to the head-unit
Yellow/Black	Pin 8	CAN-HIGH – connection to the vehicle
Blue/Black	Pin 7	CAN-LOW – connection to the vehicle
Red	Pin 1	+12V Permanent
Black	Pin 5	Ground
Green	Pin 6	Activation of the video-in-motion function (+12V = TV-free activated)
White	Pin 2	Trigger output (+12V DC 500mA)

Connection Schema

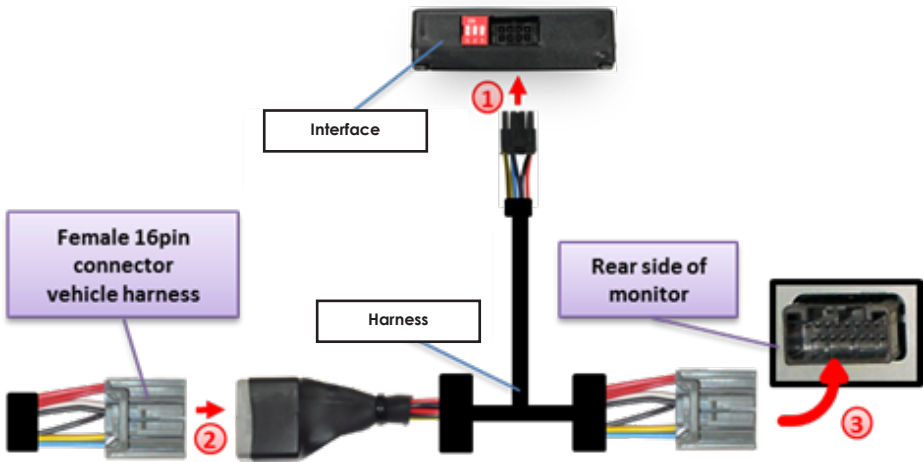


INSTALLATION

NB: Before installation, switch off ignition, disconnect the vehicle battery and remove the vehicle's head unit.

The interface is installed behind the vehicle's head unit. The RCA connectors provide the factory aux signal and must remain connected.

Connecting Interface, harness and factory navigation monitor

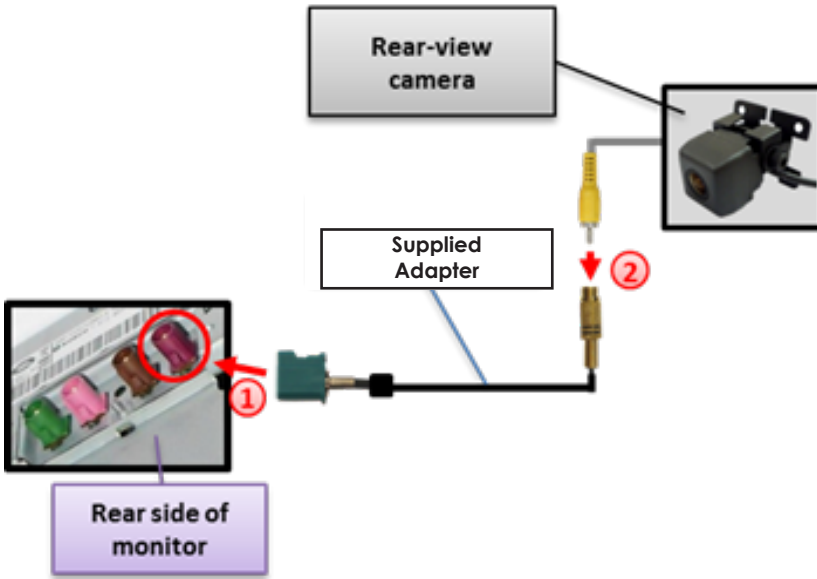


1. Connect the female 8pin Molex connector of the harness to the male 8pin Molex connector of the interface.

2. Transfer the female 16pin connector of vehicle harness from the rear of the factory head unit into the male 16pin connector of the harness.

3. Plug the female 16pin connector of the harness into the male 16pin connector on the rear of the factory navigation system.

Rear View Camera Connections



1. Connect the female Fakra-connector of the supplied adapter to the male purple Fakra connector on the rear of the factory navigation monitor.
2. Connect the video RCA of the rear-view camera to the female RCA connector of the supplied adapter

NB: Only compatible with NTSC-cameras.

Activating Video in Motion

The video-in-motion can be activated and deactivated by Dip 1 or alternatively by the included loose green cable in connection with a switch (not included)

Video-in-motion permanent

With Dip1 set to "ON", the video-in-motion function is permanently activated

Video-in-motion selective

With Dip1 set to "OFF", the included green cable is used to activate the video-in-motion function.

Connect a switch to the green cable and connect the green cable to +12V ACC.

- +12V = Video in Motion is activated
- 0V = Video in Motion is not activated

Note: The loose white cable is not required and must be isolated.

