

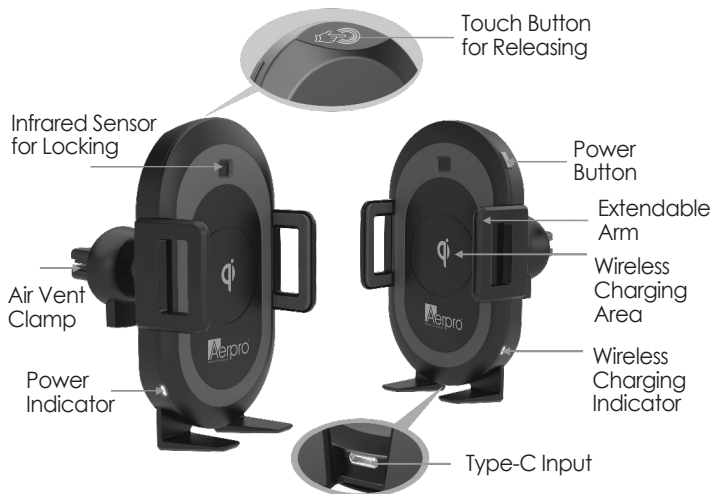
Wireless Charging Kit

USER MANUAL AP15AQI



Thank you for purchasing the AP15AQI Wireless Charging Kit. It is compatible with all Qi enabled devices like Samsung S7/ S7 edge, S8/ S8 edge, iPhone8, iPhone8 plus, iPhoneX, etc. For optimum performance and safety, please read this manual carefully before using this product.

AP15AQI Features:



Specifications:

- Automatic lock and release
- Silicone pad for anti-scratching
- Built-in 250mAh battery
- Power: 10W
- Temperature control sensor
- Over voltage/temperature protection
- Type-C Input
- Input Voltage: 9V/1.67A; 9V/1.34A
- Output Voltage: 9V/1.12A; 9V/0.83A
- Size: 118.3 x 71.9 x 20.3 mm
- Operating frequency range: 110-205KHz
- Charging efficiency: $\leq 70\%$
- Transmission distance: $\leq 6\text{mm}$
- Weight: 121.6g

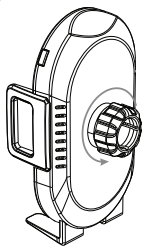
Qi-ID3991

How to Use Vent mount:

Step 1:

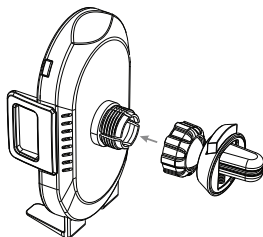
Attaching the vent clamp to the charging body

①



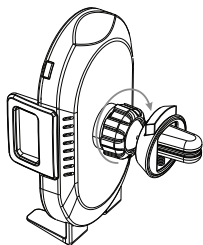
Loosen the nut

②



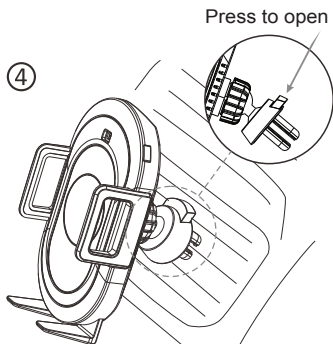
Place the nut over the ball on the vent mount. Press ball into charging base.

③



Tighten the nut to complete installation

④

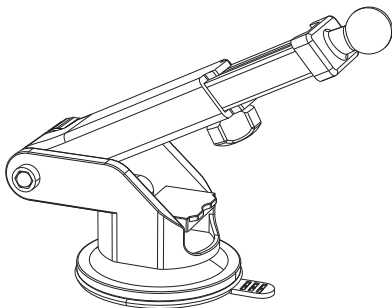


Press button on vent clamp to open grip arms, then place mount on vent. Release button to secure on vent

How to Use Suction mount:

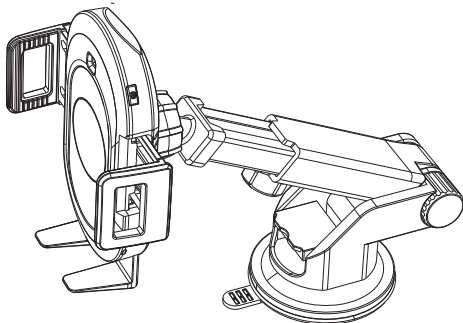
Step 1:

Attaching the suction mount to the charging body, by placing the nut over the ball on the suction mount. Press ball into charging base, then tighten the nut to complete installation



Step 2:

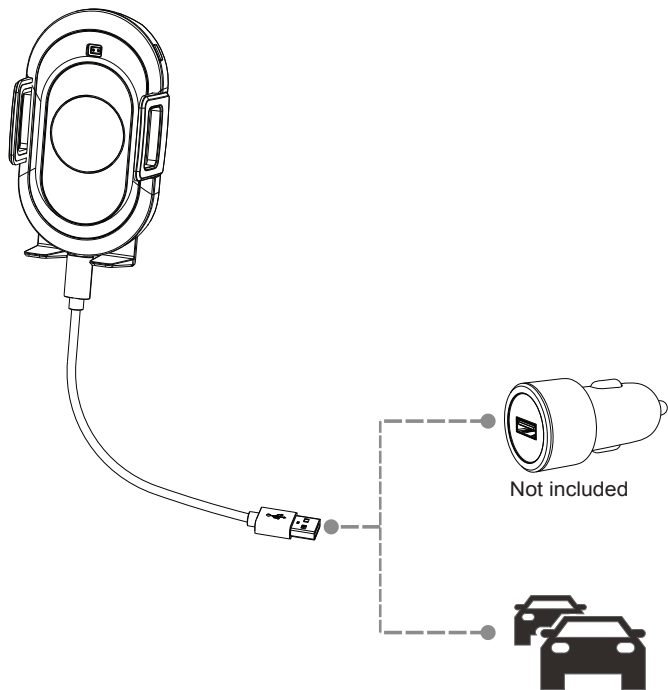
Clean the surface you want to attach the suction mount to with a clean rag or an alcohol wipe. Release the locking tab on the suction mount. Remove the clear sticker from the base. Press the suction mount firmly on the cleaned surface and press locking tab down to lock in position. Use knobs on suction mount to adjust angle and length of telescopic arm.



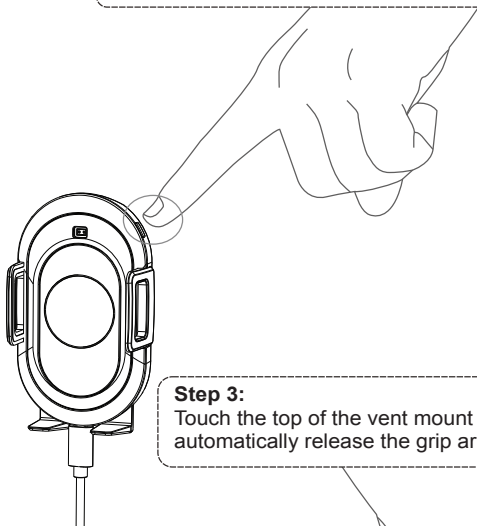
Using your device:

Step 1:

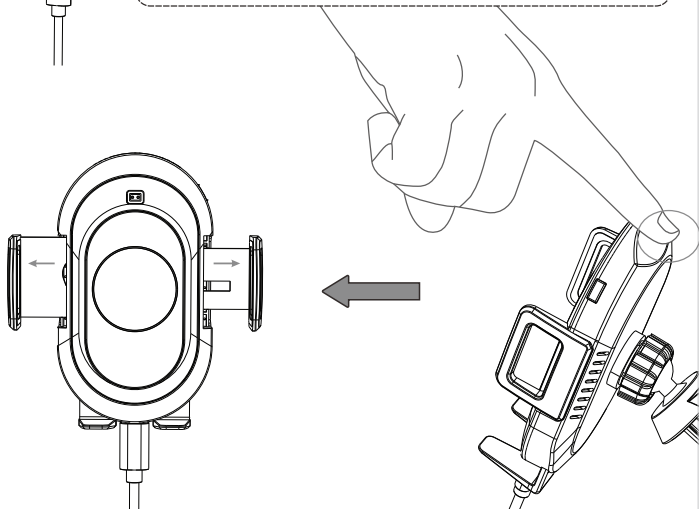
Use the USB Type-C cable to connect to the USB power of the car or car charger



Step 2:
Press "Power button" to power on

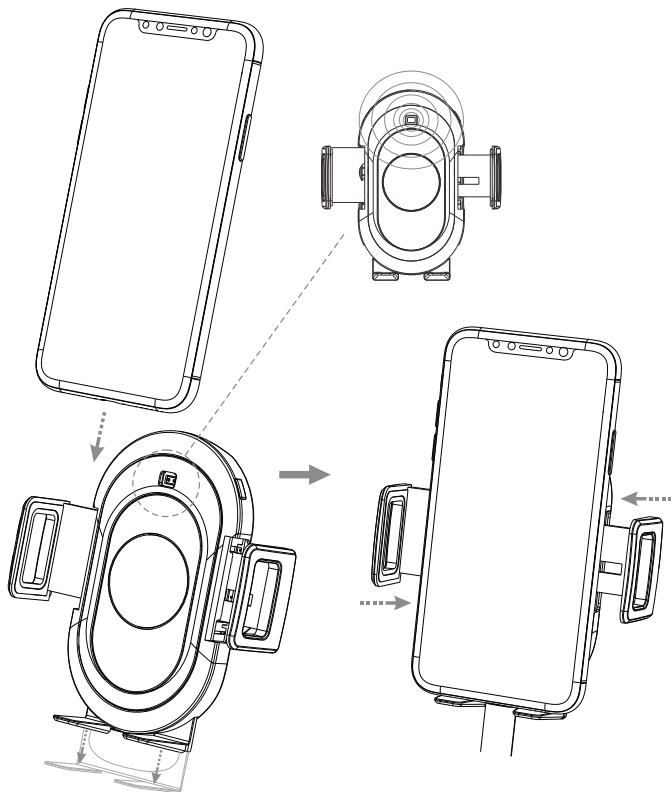


Step 3:
Touch the top of the vent mount (Touch button) to automatically release the grip arms



Step 4:

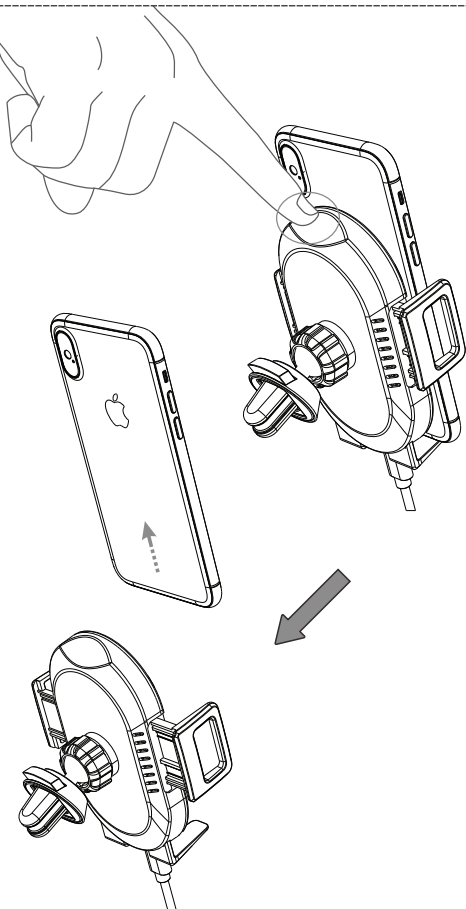
Automatically locks grip arms once the IR sensor is triggered by phone proximity



NOTE: Due to different phone sizes, the wireless charging contact area may vary. Adjust the feet by pulling down to allow alignment between the phone and the wireless charger contact area.

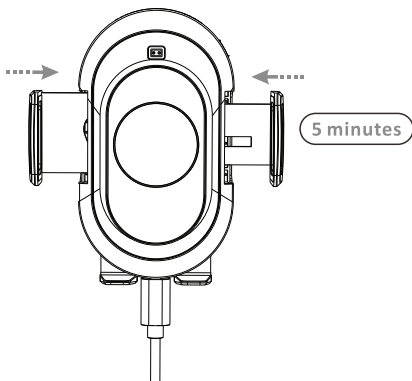
Step 5:

Touch the top of the vent mount (Touch button) to automatically release the grip arms to remove phone



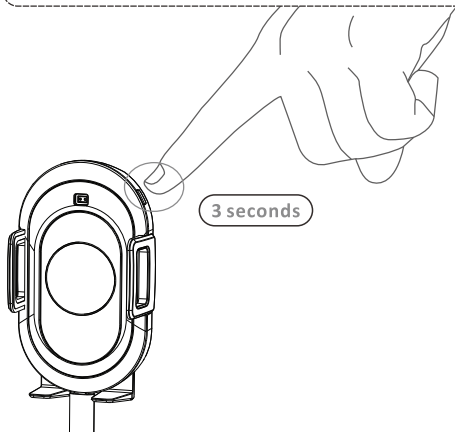
Step 6:

The AP15AQI grip arms will automatically lock after 5 minutes when not being used.



Step 7:

Alternatively press the power button for 3 seconds to turn the wireless charger completely off.



AP15AQI Holder Indicator light explained

| LED Light | Light Status | |
|-----------|---------------|----------------|
| Blue | ON | Fully Charged |
| | Slow Blinking | Charging |
| | Fast Blinking | Low Power |
| | Slow Pulsing | Ready to Start |



Wireless Charging light explained

| LED Light | Light Status | |
|-----------|---------------|-------------------------|
| Green | ON | Wireless Charging |
| | Slow Blinking | Error, Reposition Phone |
| Red | Fast Blinking | Standby |
| Blue | Slow Pulsing | Phone Fully Charged |

TIPS:

When using this product it must be connected to power. To achieve fast charging, a QC2.0/3.0/4.0 car charger is required. Aerpro models APL24QC & ADMQC3U meet the requirements are sold separately.

PRECAUTIONS:

- Keep the product dry. Rain, moisture and various liquids may contain minerals that will corrode the circuit. If the product gets wet, dry it as soon as possible or use a soft cloth to wipe it clean.
- When charging use a 5V/2A, 9V/2A charger. Do not use a lesser specification charger as the product will not operate correctly and will damage the product. Do not use damaged chargers.
- Do not attempt to charge the product with the battery exposed or with a broken case. Do not charge the product with incompatible equipment.
- Do not store the product in a cold place. Otherwise when temperature rises to normal temperature, moisture will build up inside and may damage the electrical appliance.
- Do not attempt to open the product, unauthorized dis-assembly or modification will damage the equipment and or related wireless charging functions.
- Do not throw, tap or shake the product; rough handling of the product will damage the internal circuit board and the mechanical structure.
- Use a clean moist soft cloth to clean the surface of the product. Do not use or store the equipment in dusty or dirty environments.
- Some components of this product are magnetic and metal materials may be absorbed onto this product. Please do not use bank cards, credit cards or any other items with magnetic near the product so as to avoid losing the data stored due to demagnetization.

NOTE:

1. The car charger or adapter used to power the Wireless Charging Kit that outputs the proper voltage is required (Not included). It should meet QC2.0, QC3.0 or QC4.0 standard. Aerpro models APL24QC & ADMQC3U meet the requirements are sold separately.
2. The connected power car charger used must output 9V/1.67A. Using a charger or adapter with a lower output may result in malfunction or overheating.
3. Quick Charge 3.0 power charger is required for fast charge mode
4. Charging speed may vary depending on device specifications, input voltage and environment.
5. Phone cases or metal plates for magnetic attachment may interfere with wireless charging.
6. It's normal for the charger and your charging device to get hot whilst charging, and hotter when being used at the same time. Remove device from charging pad to allow to cool down and avoid over heating.

TECHNICAL ASSISTANCE

If you need assistance setting up or using your Aerpro product now or in the future, call Aerpro Support Australia TEL: 03 – 8587 8898 FAX: 03 – 8587 8866

Mon-Fri 9am – 5pm AEST

If you would like to download a digital copy of this manual, or other Aerpro manuals/software, please visit the <http://aerpro.com> website.

This manual is considered correct at time of printing but is subject to change. For latest manuals and updates refer to the website.



www.aerpro.com