



**AM9M02R**

# **9.66" SMART WIRELESS MIRROR MONITOR**

with 1080P Full HD dual dash cam & reverse camera

## **USER MANUAL**

### INCLUSIONS:

Mirror Monitor, Rear Camera, Camera Lead With Trigger Wire,  
12/24V Car Charger & Mounting Hardware



05-06-2024

[aerpro.com](http://aerpro.com)

## Introduction

---

Thank you for purchasing the Aerpro AM9M02R Smart wireless mirror monitor. This product is a convenient and durable traveling video and data recorder. Please ensure that you have read the product manual and instructions in full, prior to installation and use. Failure to do so may result in product failure/damage or incorrect operation and therefore impact the product performance.

## Product features

---

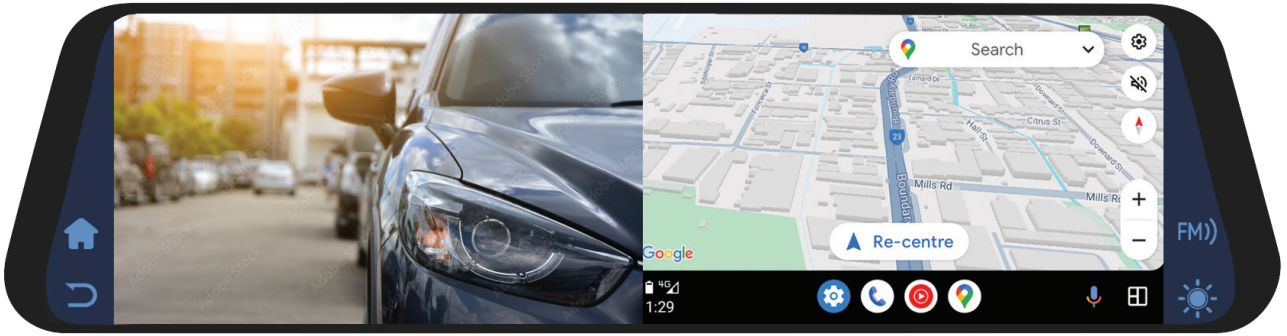
- 9.66" High-resolution LCD touch screen mirror monitor
- Front camera 2K QHD video recording 2560 x 1440@25fps
- 120 Degree wide angle lens
- Rear camera FHD video recording 1920 x 1080@25fps
- 110 Degree wide angle lens surface mount rear camera
- Rear camera with mirror image function
- Reverse camera functionality with trigger wire
- Parking guide lines
- Live streaming functionality
- G-Sensor, Loop recording
- Capacitor battery
- Seamless cycle loop recording
- Rubber clip-on mount
- 32GB Micro SD
- Supports Micro SD card class10 up to 256GB
- 12/24V DC car adapter (3.4M length)
- Camera lead (6.5M length with camera)
- Dimensions 72(H) x 18(W) x 260mm(L)

## Table of contents

---

Introduction.....	2
Product features.....	2
Table of contents.....	3
Package components.....	4
Optional accessories (Sold Separately).....	5
Product structure.....	6
Installation of mirror monitor.....	7
Home screen touch screen functions.....	9
Other mirror functions.....	9
Settings screen.....	10
CarPlay screen.....	12
Android Auto screen.....	12
DVR screen.....	13
Playback screen.....	14
Audio output settings.....	15
Video playback mode.....	17
Connecting to a computer.....	17
G-sensor sensitivity.....	17
Reversing guide lines.....	18
Formatting SD card.....	18
Infringement of copyright warning.....	18
Product specifications.....	19
Troubleshooting guide.....	20
Safety information & warnings.....	21
Technical assistance.....	21

# Package components



AM9M02R  
Mirror Monitor



Micro SD Card



Rear Camera



Camera Lead  
with Trigger Wire



12/24V charging adapter



Mounting screws & 3M adhesive  
for butterfly camera



Mirror protector pads &  
rubber mounting clips

## Optional accessories (Sold Separately)

---

### **ARVHWK1 – Hard Wire Kit**

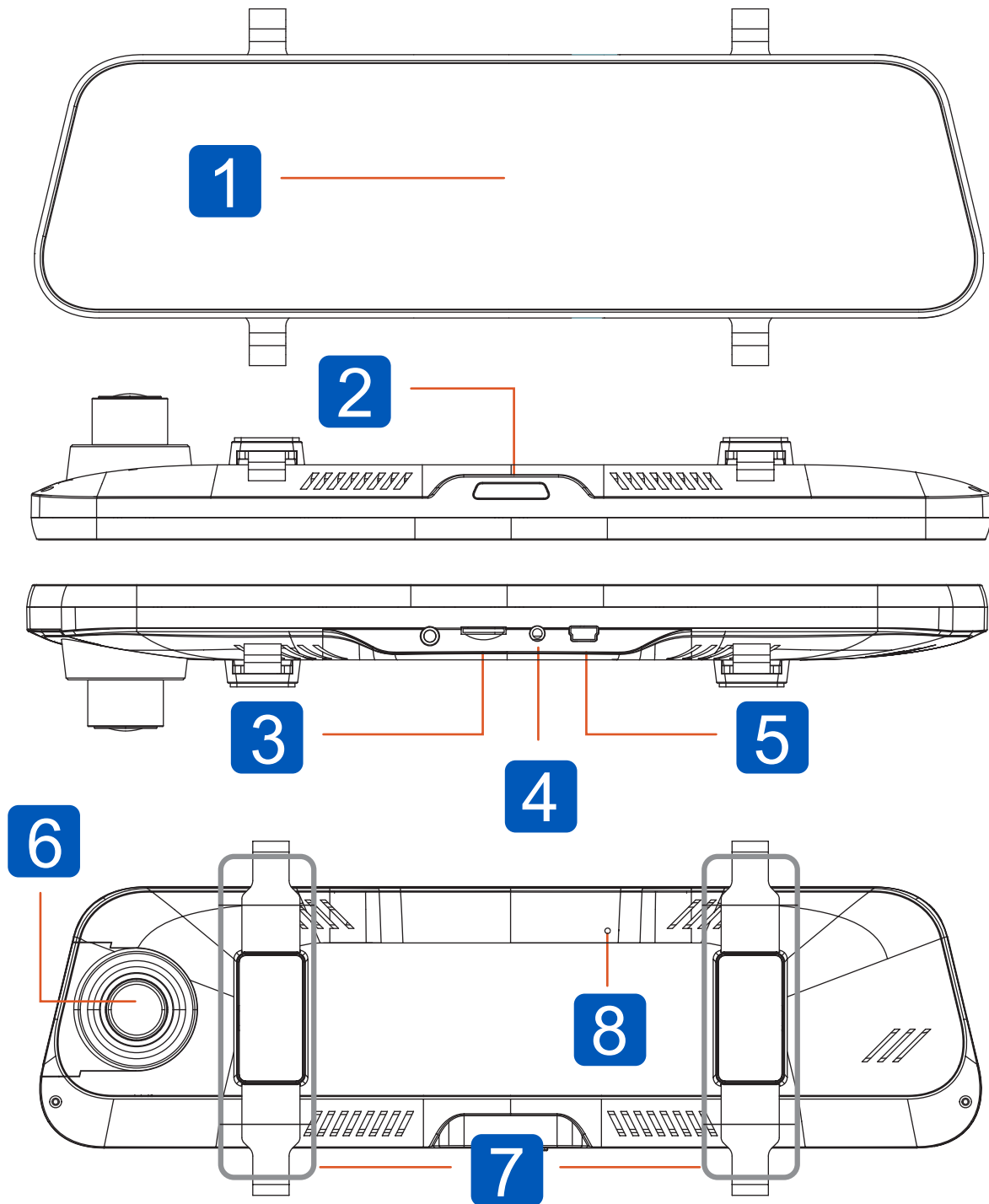
Allows the Monitor to be powered via the vehicle fusebox. This allows for recording in Parkmode. Includes fuse taps for simple installation. Parkmode function is not available without this accessory.

### **AM3MEXT – 3M Rear Cam Extension Cable**

3M extension cable allows installation of the AM9M02R on longer vehicles. The cable connects at the camera end of the installation.



## Product structure

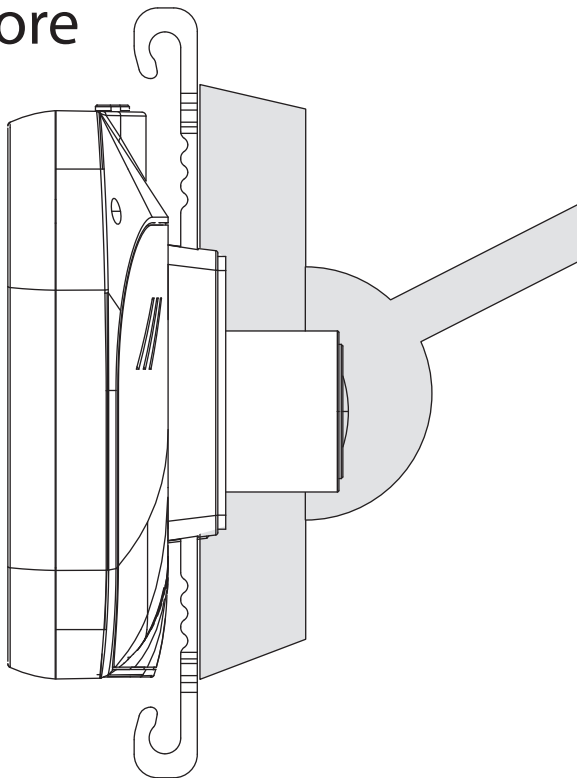


- 1) LCD touch screen
- 2) Power button
- 3) Micro SD card slot
- 4) Rear camera input

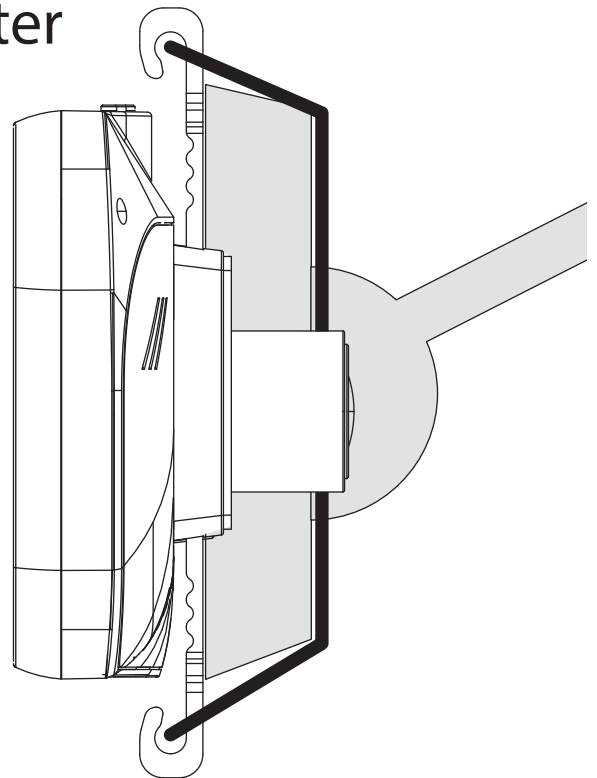
- 5) Power input (Type C 5V/3A)
- 6) Forward recording camera
- 7) Mounting clip-on system
- 8) Reset button

## Installation of the mirror monitor

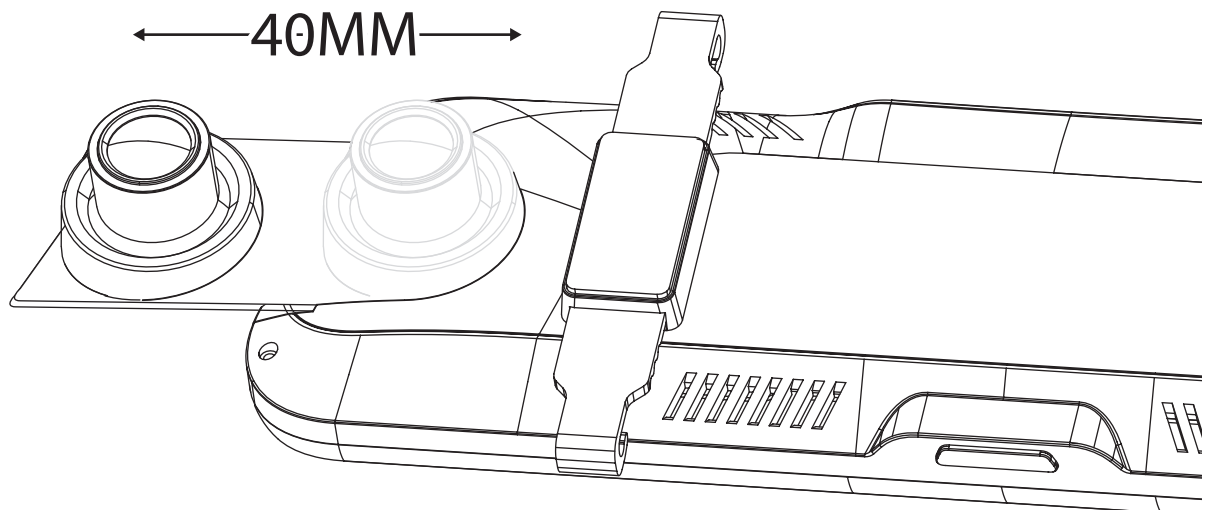
Before



After



Flexible bands go behind the existing vehicles mirror and attach to the plastic hooks on Aerpro Mirror Monitor.



The forward facing cameras mounting arm can be extended outwards as well as the camera lens angled up and down.

## Installation of the mirror monitor

---

1. Insert Micro SD card into the Mirror Monitor
2. Clip on mirror design securely mounts on the existing rear view mirror in the vehicle by stretching the bands at the back. There are two positions based on thickness of existing mirror.
3. Insert power cable into the DC-in of the Mirror Monitor. Connect the DC charging end of the power cable into the 12-24V power socket of your vehicle. Test the Mirror Monitor is working before fixing the cable along the ceiling or A-pillar where it can be safely hidden.
4. Connect the rear camera to the input on the mirror. Test the camera is working correctly and orientation before fixing the cable and securing the camera mount on your vehicle.
5. Attach the red trigger wire to the reverse light of your vehicle to engage parking guide lines when vehicle is put into reverse gear. The black wire can also be used as an additional earth if required.
6. Turn vehicles ignition on, and the Mirror Monitor will automatically start recording.
7. When recording the recording indicator LED will flash red.
8. For the Mirror Monitor to work it must receive power from the charging adapter. Once power is removed or turned off the Mirror Monitor will save the current file and turn off.
9. Manually adjust the viewing angle on the Mirror Monitor by extending the forward facing camera arm and or moving the lens up or down.

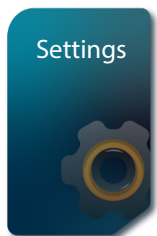
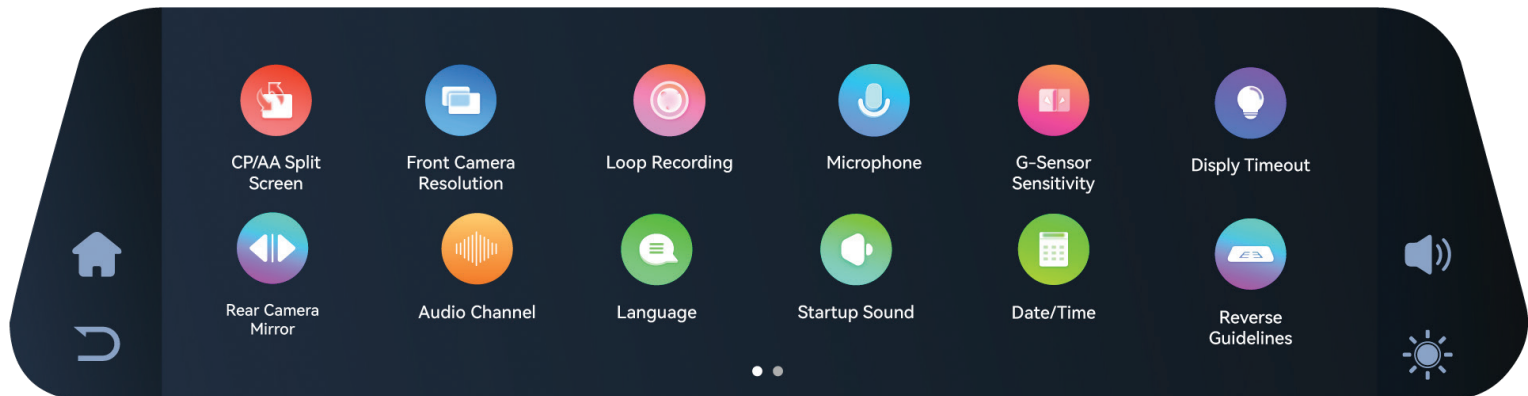


## Home screen touch screen functions



- 1) **Display Icon:** Press to hide display
- 2) **Home Screen** Press to access the default home screen
- 3) **CarPlay:** Press to access CarPlay settings
- 4) **Android Auto:** Press to access Android Auto settings
- 5) **DVR:** Press to access DVR camera recording settings
- 6) **Playback:** Press to access recorded video files
- 7) **Settings:** Press to access the settings menu
- 8) **Brightness:** Press then drag slider to change brightness
- 9) **Audio Output:** Press to change output volume, drag the slider to adjust. Switch between Built in speaker, Bluetooth or FM transmitting. Press OK icon for output confirmation

## Settings screen (12V Socket connection)



Press the Settings icon on the home screen to display more mirror features. Press the individual feature icons to access their settings.

**CP/AA Split Screen:** Choose to display in full screen, left or right, with the default display on the right side of the screen.

**Front Camera:** Press to access the resolution. Only applicable to front facing camera only and has no effect on rear camera.

**Loop Recording:** Choose the recording time 1/3/5 minute.

**Microphone:** Press to turn the microphone ON or OFF when recording.

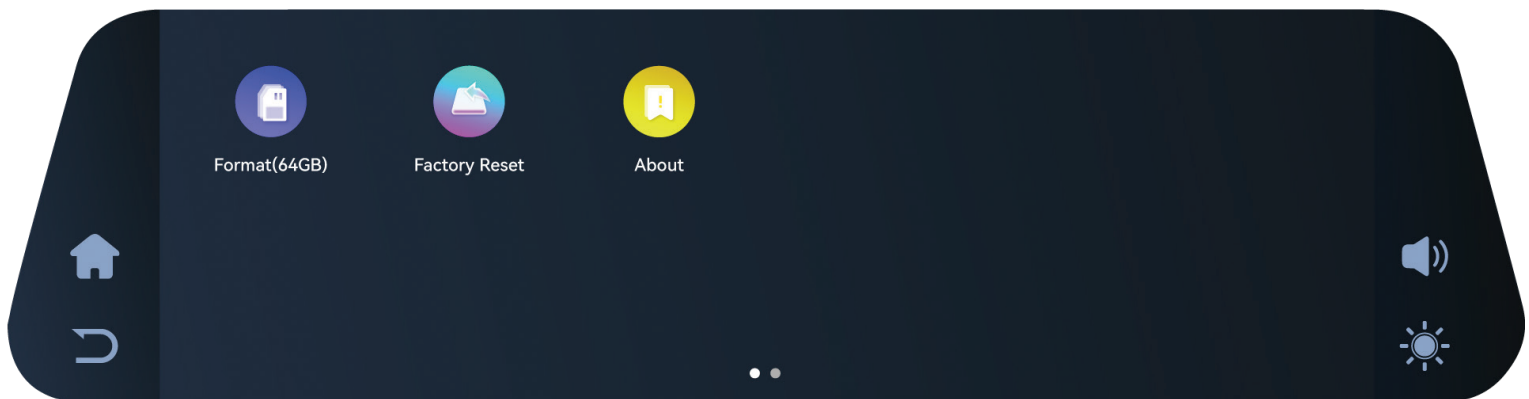
**G-Sensor:** In the event of a serious collision the recorder will lock the current image data at the time of the accident. A lock icon will be displayed on the upper right of the screen. The locked file will be saved and not recorded over. Sensitivity can be set to OFF, Low, Medium or High.

**Display Timeout:** Press to show how long screen displays. Choose OFF, 5, 30, 60 & 180 seconds.

**Rear Camera Mirror:** Press to turn the rear camera mirror image ON/OFF

**Audio Output:** Select the audio output modes: Bluetooth, FM and speaker modes. Default is loud speaker. See page 15-16 for connection via Bluetooth.

## Settings screen



Press the Settings icon on the home screen to display more mirror features. Press the individual feature icons to access their settings.

**Language:** Change the operating language. Default is English

**Startup Sound:** Press to turn ON or OFF

**Date/Time:** Displays the Date and Time. 12/24 Hour.

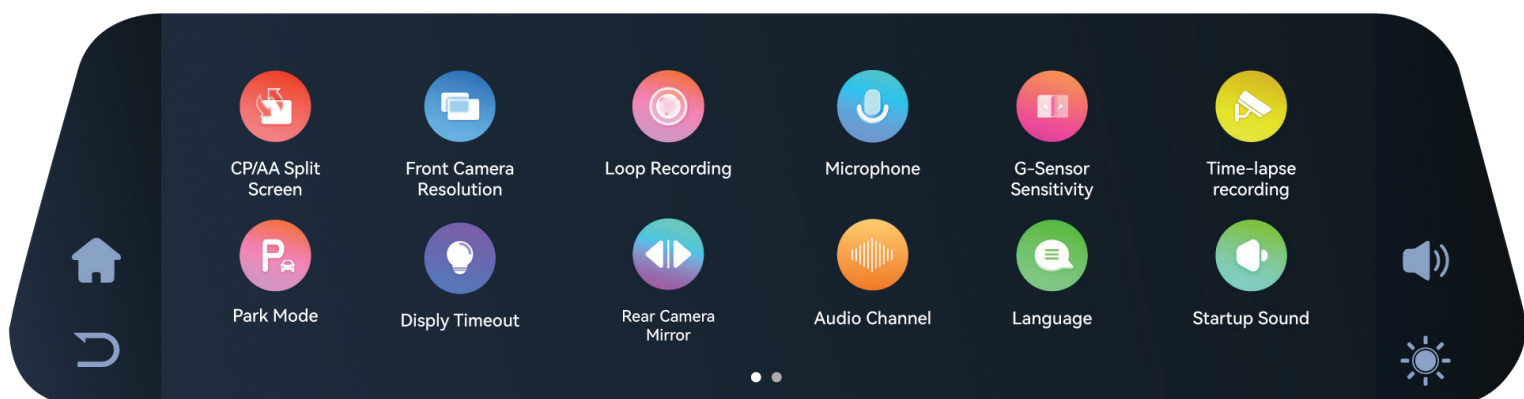
**Reverse Guidelines:** Turn the reversing guidelines ON or OFF.

**Format TF Card:** Use to format the Micro SD card.

**Factory Reset:** Restores settings to the factory settings.

**About:** Displays the firmware version, WiFi name and password.

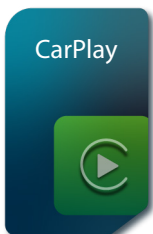
## Settings screen (Hardwired connection extra functions)



**Park Mode:** Press to activate Park Mode On/OFF. Once the ignition is turned off, it will record continuously in Time Lapse.

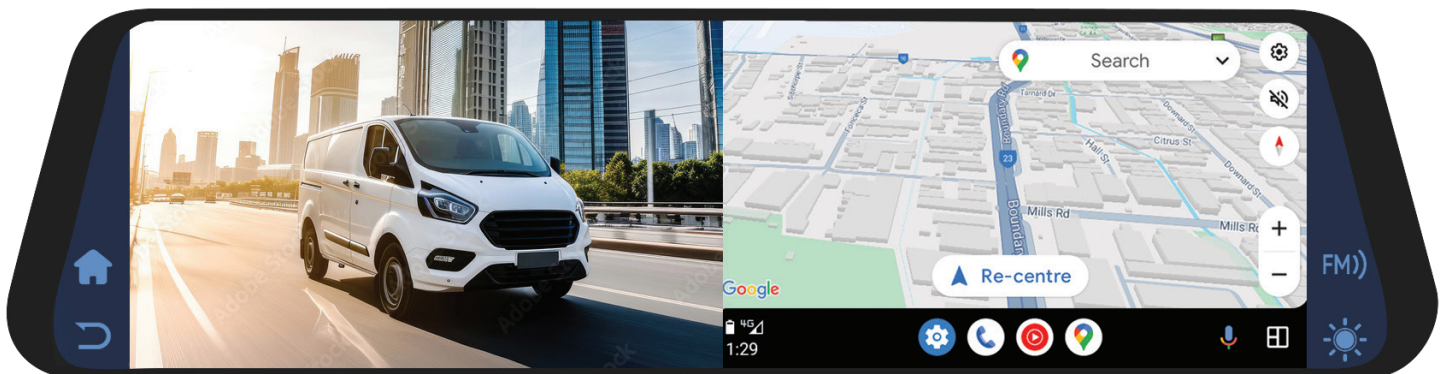
**Time Lapse Recoding:** Allows to record 1 frame per second for 2, 8, 12 or 24 hours.

## CarPlay screen



Press the CarPlay icon on the home screen to display pairing information. Follow the instructions on screen. Once paired the CarPlay screen will display and be automatically remembered for future use. Live view allows you to change between the front and rear camera by swiping left to right on the live image.

## Android Auto screen



Press the Android Auto icon on the home screen to display pairing information. Follow the instructions on screen. Once paired the Android Auto screen will display and be automatically remembered for future use. Live view allows you to change between the front and rear camera by swiping left to right on the live image.

## DVR screen

---



Press the DVR icon on the home screen to display recording functions. Press the individual feature icons to access their settings.



**Microphone:** Press to turn ON or OFF sound recording.

**Lock Icon:** Press to lock recorded files

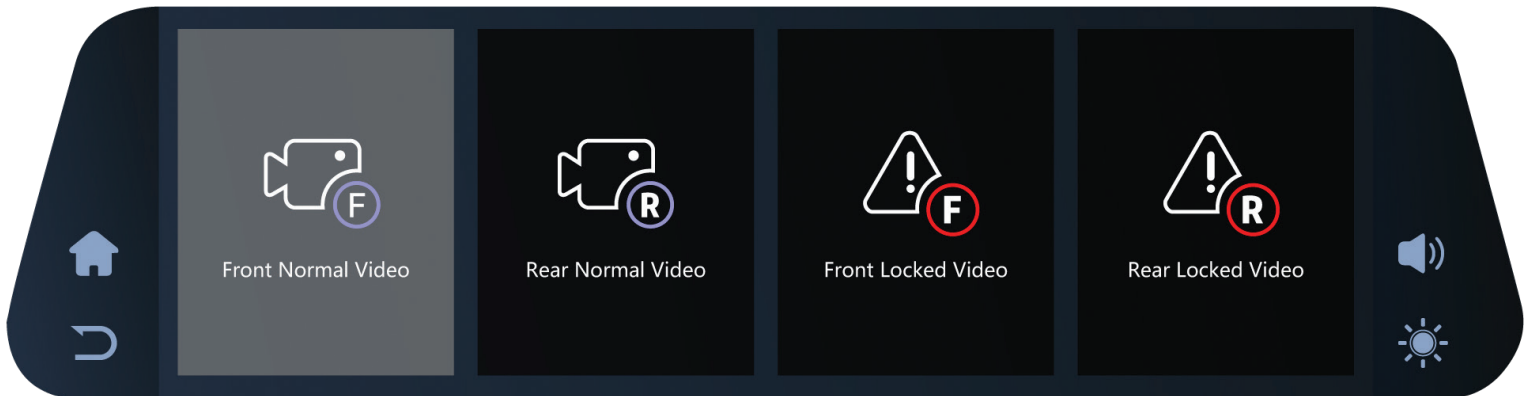
**Recording Icon:** Press to START or STOP the recording function.

**Playback:** Press to playback recorded files.

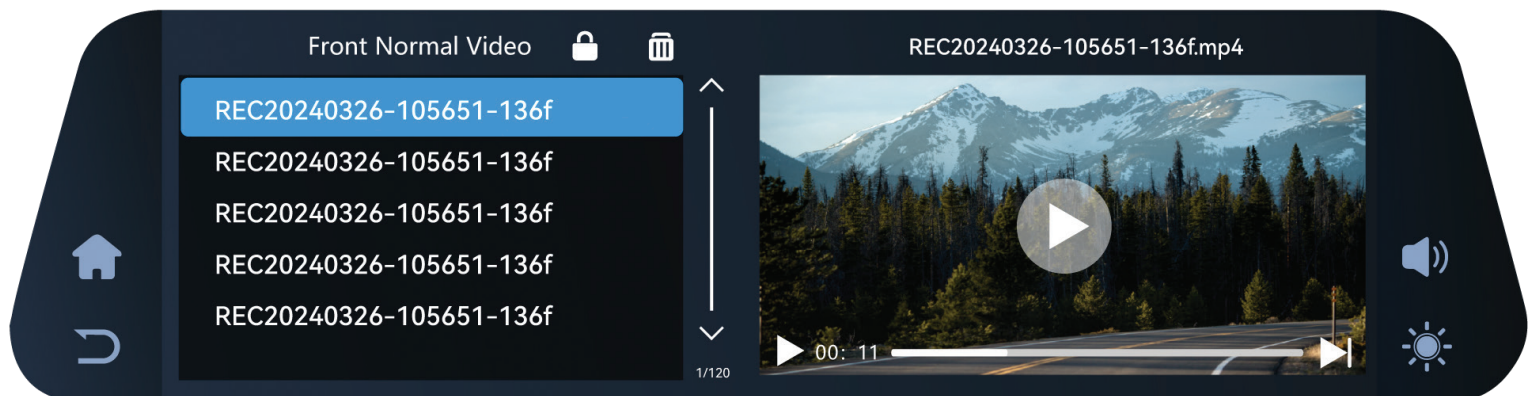
**Settings Icon:** Press to return to settings menu

**NOTE:** When in live view mode, you can swipe left or right on the screen to change from front or rear camera, or split between front and rear view.

## Playback screen

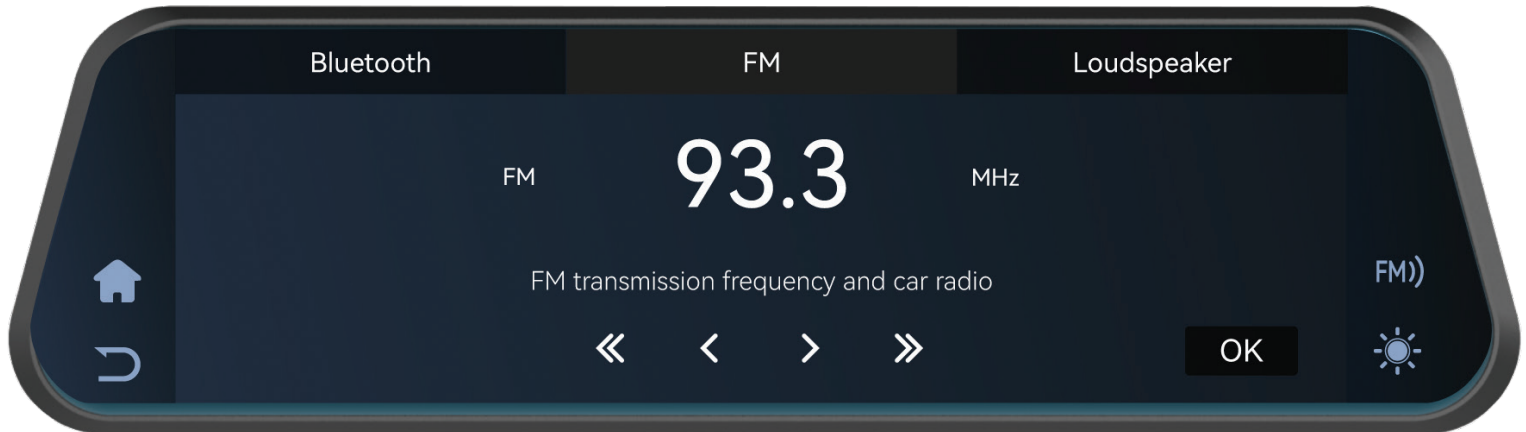


Press the Playback icon on the home screen to display recorded file options. Press the individual feature icons to access their files.



In this screen recorded files can be played, locked, unlocked, and delete footage.

## Audio output settings (Apple CarPlay & Android Auto)

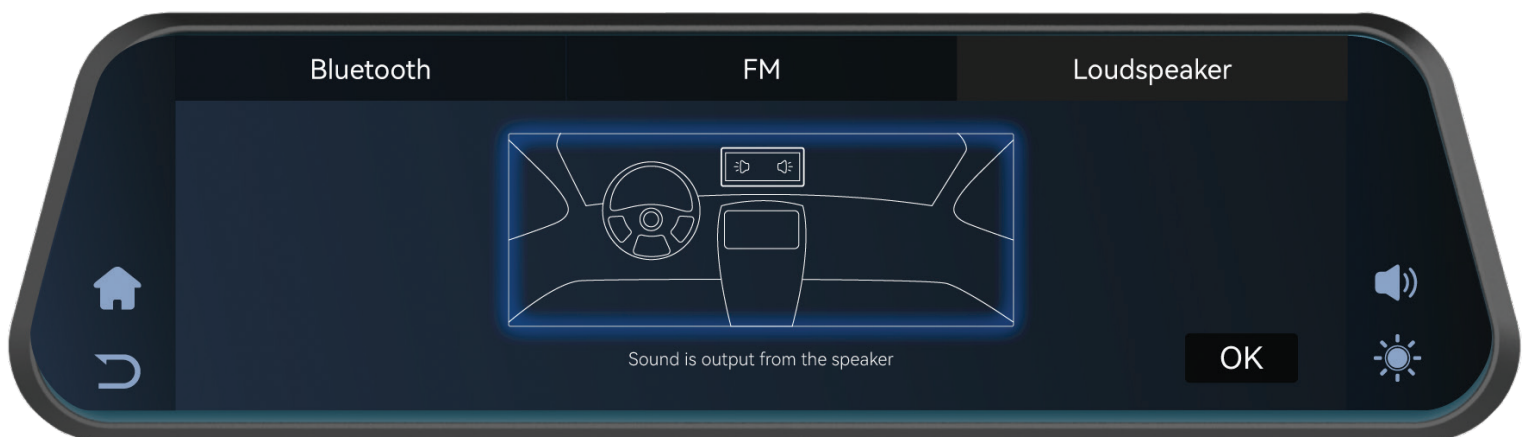


Use the FM transmitter mode if you want to listen to audio on your car's sound system without connecting any wires.

Tap the Audio output icon on the home screen. Select the FM icon on the top middle of the screen to use the FM transmitter function. Turn on the factory head unit and tune it to the same frequency as the monitor.

**NOTE:** You must always be on the same frequency as the FM Transmitter as the unit will not automatically switch in the event of a call or playing music.

If you have issues with interference, try changing the FM frequency to one that isn't being used to broadcast radio stations.



Use the internal loudspeaker to output audio from the monitor. Tap the Audio Output icon on the home screen and select the loudspeaker icon on the top right of the screen.

**NOTE:** In this mode, you can adjust the volume by pressing the speaker icon along the bottom on the home screen.

## Audio output settings (Cont.....)

The CarPlay/Auto feature allows you to use the CarPlay features on the display whilst streaming audio to your factory audio system over Bluetooth if supported.

Make sure that the CarPlay/Auto feature is selected.

Then connect your device via CarPlay/Android Auto to the 9 inch monitor using the instructions in this manual.

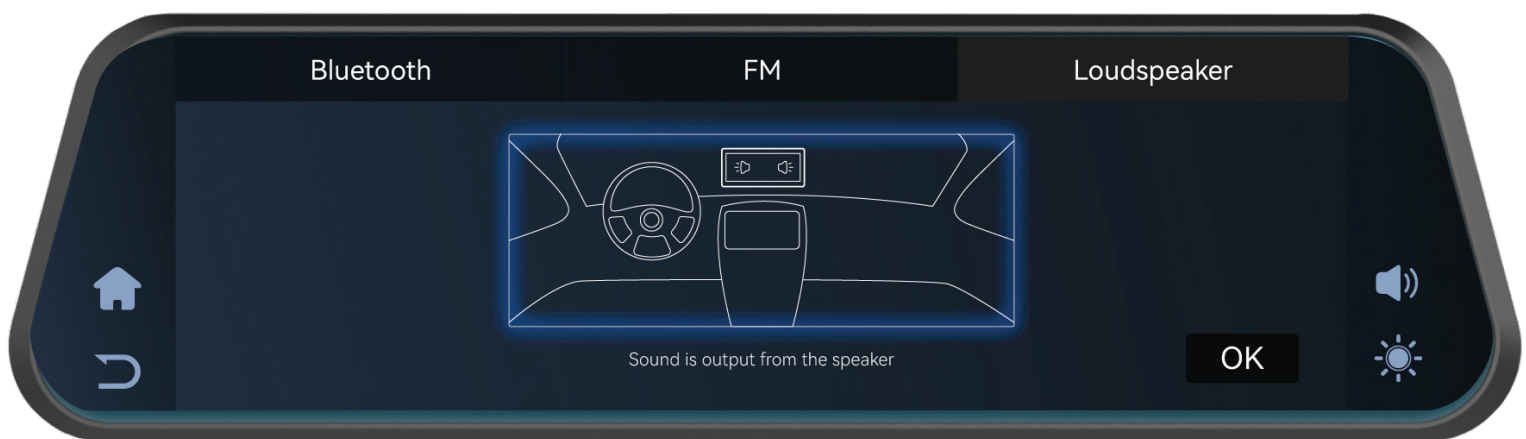
Once your phone is connected, your device will automatically disconnect to the bluetooth from the 9 inch monitor. You must then connect your smartphone to the head unit's Bluetooth. Once connected audio from CarPlay/Android Auto will start playing through your vehicle's factory sound system over bluetooth.

**NOTE:** You can also adjust the bluetooth volume from your phone using this method.

Not all factory/aftermarket head units will support this feature and you may encounter disconnections or poor audio quality depending on your vehicle/device.

Music may not automatically start playing in this mode and may need to be played manually.

We do not recommend this feature for head units that support Wireless CarPlay or Wireless Android Auto.





## Video playback mode

---

When not recording press the playback icon to select recorded and locked recorded video footage. Press on the file to view on screen. You can press icons on screen to lock/ unlock/ back/ forward/ pause and delete recorded video files. Press return arrow to exit to menu files. Press return arrow to exit playback.

## Connecting to a computer

---

You can remove the SD card from the Mirror Monitor and plug the card directly into your computer to access files. With the SD card inserted, and when connected to a computer. Two folders will appear in the storage device. Normal, Event and Photo for files. Inside these folders are sub folders, F (front camera) and R (rear camera).

## G-sensor sensitivity

---

This function activates in the case of a car accident by determining the gravitational acceleration ( $1g = 9.8$  meters/second<sup>2</sup>). When this function activates the Dash Cam will automatically save a 1 minute video file and save it to the Event folder on the SD card. We recommend Low Sensitivity to avoid false triggers.

**Note:** With this function turned on it may fill up the SD card with locked video files. Re-format the SD card to create space. The device does NOT guarantee video recording of all accidents as built-in impact sensor may not be activated due to combination of user settings and the level of impact during the collision.

## **Reversing guide lines**

---

When triggered, the reversing guide lines only assist a driver with backing into a parking space or aligning with an object behind the vehicle. They do not measure distance. You should always get out of the vehicle and visually check the distance to aid the driver when using guide lines.

## **Formatting SD card**

---

It is advisable to format the SD card when you first use the Mirror Monitor and also regularly if you have the setting G-sensor function on or create Locked files. This will fill up the card causing it to stop recording any footage. Micro SD cards need to be formatted in the Mirror Monitor to be recognised.

## **Infringement of copyright warning**

---

Please note that this product is for personal use only, the method of use shall not violate the goods, or infringe on domestic or international copyright laws. Recorded images are for personal use only, please note that in some cases to use this product to record performances, exhibitions or business activities may infringe the copyright or other legal rights and interests of others.

## Product specifications

Display	9.66" High-resolution LCD touch screen
Colour	Black
Video	MP4
Resolution Front	FHD 2560 x 1440@25fps
Resolution Rear	FHD 1920 x 1080@25fps
Frequency	50HZ/60HZ
MPU	MSTAR SSC8826Q
Front Camera	120 Degree wide angle lens
Rear Camera	Surface mount butterfly camera 110 Degree wide angle lens
Functions	G-Sensor, Loop recording
OSD Language	English/Russian/Chinese
Audio	Built-in Microphone and speaker
Storage	Supports Micro SD card Class 10, 128GB Max
Power	USB TypeC DC5V 3A
Battery	Super Capacitor
Car charger	DC input: 12-24V, output: 5V
Dimensions	72*18*260mm (H*W*L)

## Troubleshooting guide

---

If there are problems with the device, please refer to the following methods to resolve.

Cannot record video?

Please check whether there is enough space on the micro SD card or internal storage.



Stopping automatically while recording?

Due to the high amount of HD video data being recorded, please use a high-speed Micro SD card. To tell if you have the required high speed card, check if it has the 'Micro SDHC' logo on the SD card and 16GB class 10 or above is recommended. Make sure that your card is labeled Micro SDHC and not Micro SDXC as SDXC cards will not work with this Mirror Monitor.

Fuzzy/dirty image?

Please check if the lens is filled with dirt or fingerprints and clean carefully. Please clean the lens with cloth before shooting. Make sure to peel off the transparent protective sticker on the front of the Mirror Monitor's lens.

The Mirror Monitor is jammed or not responding?

Please reset the device in system settings or insert a pin into reset hole on the back of screen. (See page 6 diagram)

Micro SD card not recognised by Mirror Monitor?

Format card in the Mirror Monitor's menu setting's before use.

**Note:** To alleviate card problems make sure the SD Card used is a quality brand from a reputable source.

## Safety information & warnings

---

- Do not use the Mirror Monitor in damp working conditions; the Mirror Monitor is not waterproof.
- Do not try opening the shell or trying to repair the Mirror Monitor by yourself. If the accessories for the Mirror Monitor have any problems, please take it to an authorised repair agent for repair.
- Do not use a chemical substance, cleaning solvent or cleaner to clean the Mirror Monitor, please use a moist soft cloth if you would like to clean the Mirror Monitor.
- Do not use the Mirror Monitor under conditions where dust is present.
- Please pay attention to cleaning the lens surface, use a moist soft cloth to clean the lens before use, to avoid poor video footage.
- Aerpro is NOT responsible for the loss of any recorded video during operation.
- Although designed to withstand high impact of car collision, Aerpro does NOT guarantee recording of accidents where the impact may cause the device to be damaged.

## Technical assistance

---

If you need assistance setting up or using your Aerpro product now or in the future, call Aerpro Support. Australia

TEL: 03 – 8587 8898

FAX: 03 – 8587 8866

Mon-Fri 9am – 5pm AEST or EMAIL: [service@tdj.com.au](mailto:service@tdj.com.au)

Please retain this user guide for future reference.

If you would like to download a digital copy of this manual, or other Aerpro manuals/software, please visit the [Aerpro.com](http://Aerpro.com) website and search for the product model number for more information, accessories and products.

This manual is considered correct at time of printing but is subject to change. For latest manuals and updates refer to the website.

Copyright © 2024 by TDJ Australia

All rights reserved. No part of this publication may be reproduced, distributed, or transmitted in any form or by any means, including photocopying, recording, copying or other electronic or mechanical methods, without the prior written permission of the author.

[www.Aerprodriverassist.com](http://www.Aerprodriverassist.com)